



WESTMAN STEEL

STATEMENTS IN STEEL™

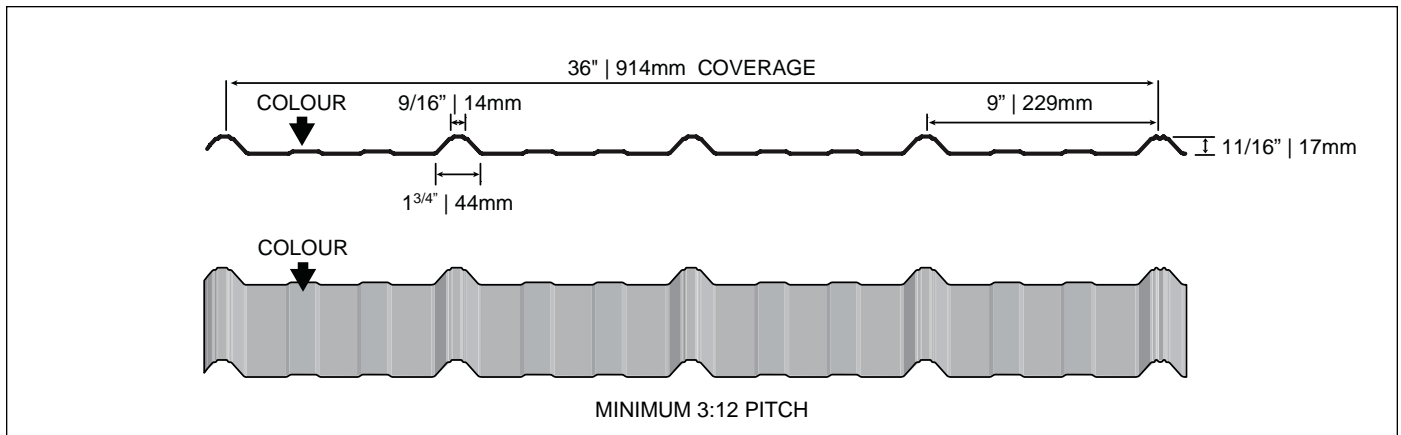
PRODUCT BINDER

Yukon
Cochrane
Sherwood Park
Saint Albert
Airdrie
Nunavut
Moosomin
Edmonton
Calgary
Black Diamond
Morden
Melita
Brandon
Three Hills
Northwest Territories
Manitoba
Surrey
Burnaby
St. John's
Deloraine
Beausejour
White Rock
Langley
Chilliwack
Abbotsford
Winnipeg
Winkler
Tsawwassen
Swift Current
Medicine Hat
Gull Lake
Kindersley
Maple Creek
Saskatchewan
Boise Jaw

Steel Profiles



Market Segments – Agricultural | Residential | Commercial



Classic/Comm	Colour Code	Gauge(s)		
		29	26	
Antique Linen	8696		•	
Black	8262	•	•	
Bone White	8273	•	•	
Bright Red	8386	•		
Bright White	8783	•	•	
Buckskin	9202	•	•	
Burgundy	8873	•		
Bronze	8406			
Cambridge White	8695		•	
Charcoal	8306	•	•	
Coffee	8326	•	•	
Dark Brown	8229		•	

Classic/Comm	Colour Code	Gauge(s)		
		29	26	
Dark Red	8250	•	•	
Deep Water Green	8684	•		
Desert Gold	8404			
Galvalume	2	•	•	
Galvanized	1	•		
Gold	8276	•	•	
Heron Blue	8330	•	•	
Hickory Moss	8368	•		
Int'l Orange	8234	•	•	
Ivory	8802	•		
Light Stone	8367	•	•	
Medium Green	8329	•	•	

Classic/Comm	Colour Code	Gauge(s)		
		29	26	
Melcher's Green	8307	•	•	
Metro Brown	8228	•		
Pacific Turquoise	8258	•		
Regent Grey	8730	•	•	
Royal Blue	8790	•	•	
Sapphire Blue	8261	•		
Slate Blue	8260	•	•	
Stone Grey	8305	•	•	
Tan	8315	•	•	
Tile Red	8269	•		
Whistler Green	8093	•		
White White	8317	•	•	

Textured	Colour Code	Gauge(s)		
		29	26	
Chocolate Brown	6034		•	
Chrome Green	6037		•	
Graphite Grey	6035		•	

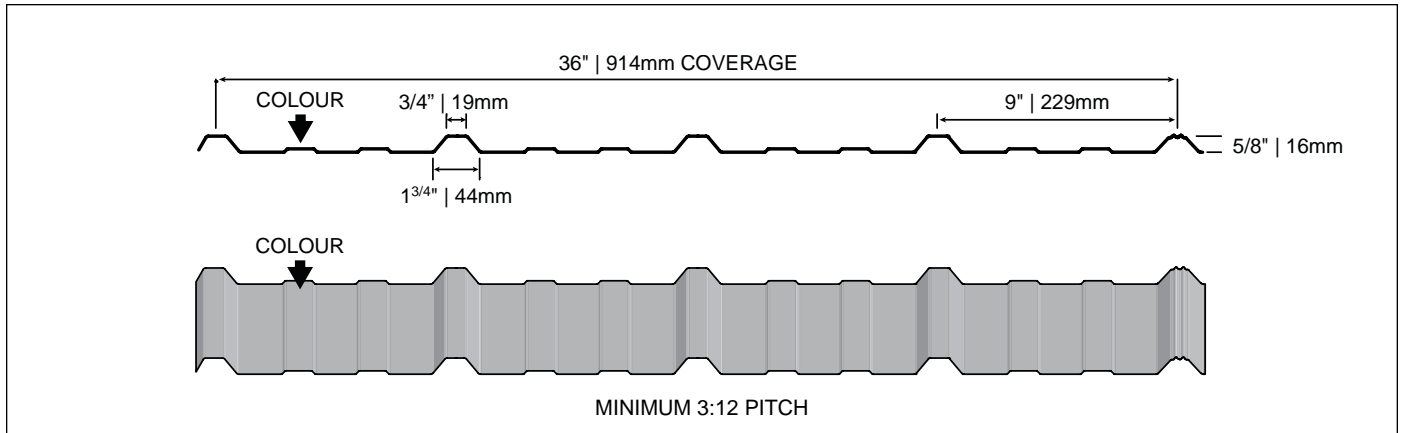
Textured	Colour Code	Gauge(s)		
		29	26	
Jet Black	6039		•	
Oxide Red	6042		•	
Sepia Brown	6041		•	

Exotic	Colour Code	Gauge(s)		
		29	26	
Copper Penny	8029	•	•	
Dark Zinc	1430		•	
Rustic Red	1426		•	
Silver Mist	8047		•	

Product Description	Grade(s)	lbs./Lin. Ft.	Additional Information
29 Gauge Plain Galvanized	80	2.03	<p>PLEASE CALL FOR PRICING</p> <p>Please contact your nearest location for availability and minimum/maximum lengths.</p> <p>Extended lead time may be required.</p>
29 Gauge Plain Galvalume	80	2.03	
29 Gauge Coloured	80	2.03	
26 Gauge Plain Galvalume	50/80	3.12	
26 Gauge Coloured	50/80	3.12	

Check your local Westman branch for colour availability • Prices subject to change without notice. • "Special" crating charges where applicable. Charges apply for Short Sheet production less than 36" • Fabrication charges where applicable.

Market Segments – Agricultural | Residential



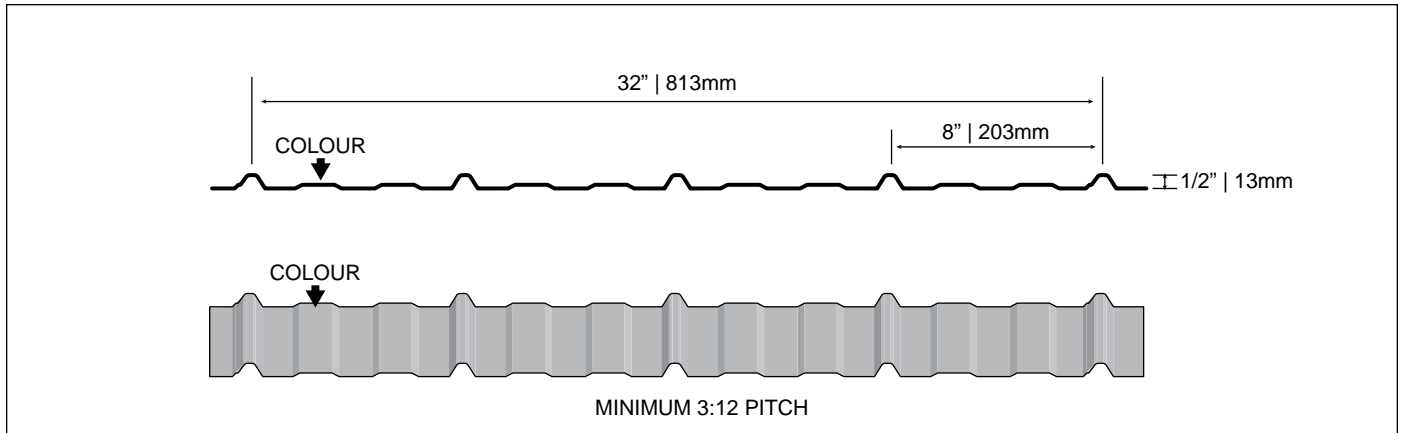
Classic/Comm	Colour Code	Gauge(s)			Classic/Comm	Colour Code	Gauge(s)			Classic/Comm	Colour Code	Gauge(s)		
		29	26				29	26				29	26	
Antique Linen	8696		•		Dark Red	8250	•	•		Melcher's Green	8307	•	•	
Black	8262	•	•		Deep Water Green	8684	•			Metro Brown	8228	•		
Bone White	8273	•	•		Desert Gold	8404				Pacific Turquoise	8258	•		
Bright Red	8386	•			Galvalume	2	•	•		Regent Grey	8730	•	•	
Bright White	8783	•	•		Galvanized	1	•			Royal Blue	8790	•	•	
Buckskin	9202	•	•		Gold	8276	•	•		Sapphire Blue	8261	•		
Burgundy	8873	•			Heron Blue	8330	•	•		Slate Blue	8260	•	•	
Bronze	8406				Hickory Moss	8368	•			Stone Grey	8305	•	•	
Cambridge White	8695		•		Int'l Orange	8234	•	•		Tan	8315	•	•	
Charcoal	8306	•	•		Ivory	8802	•			Tile Red	8269	•		
Coffee	8326	•	•		Light Stone	8367	•	•		Whistler Green	8093	•		
Dark Brown	8229		•		Medium Green	8329	•	•		White White	8317	•	•	

Textured	Colour Code	Gauge(s)			Textured	Colour Code	Gauge(s)			Exotic	Colour Code	Gauge(s)		
		29	26				29	26				29	26	
Chocolate Brown	6034		•		Jet Black	6039		•		Copper Penny	8029	•	•	
Chrome Green	6037		•		Oxide Red	6042		•		Dark Zinc	1430		•	
Graphite Grey	6035		•		Sepia Brown	6041		•		Rustic Red	1426		•	
										Silver Mist	8047		•	

Product Description	Grade(s)	lbs./Lin. Ft.	Additional Information
29 Gauge Plain Galvanized	80	2.03	<p>PLEASE CALL FOR PRICING Please contact your nearest location for availability and minimum/maximum lengths. Extended lead time may be required.</p>
29 Gauge Plain Galvalume	80	2.03	
29 Gauge Coloured	80	2.03	
26 Gauge Plain Galvalume	50/80	3.12	
26 Gauge Coloured	50/80	3.12	

Check your local Westman branch for colour availability • Prices subject to change without notice. • "Special" crating charges where applicable. Charges apply for Short Sheet production less than 36" • Fabrication charges where applicable.

Market Segments – Agricultural | Residential

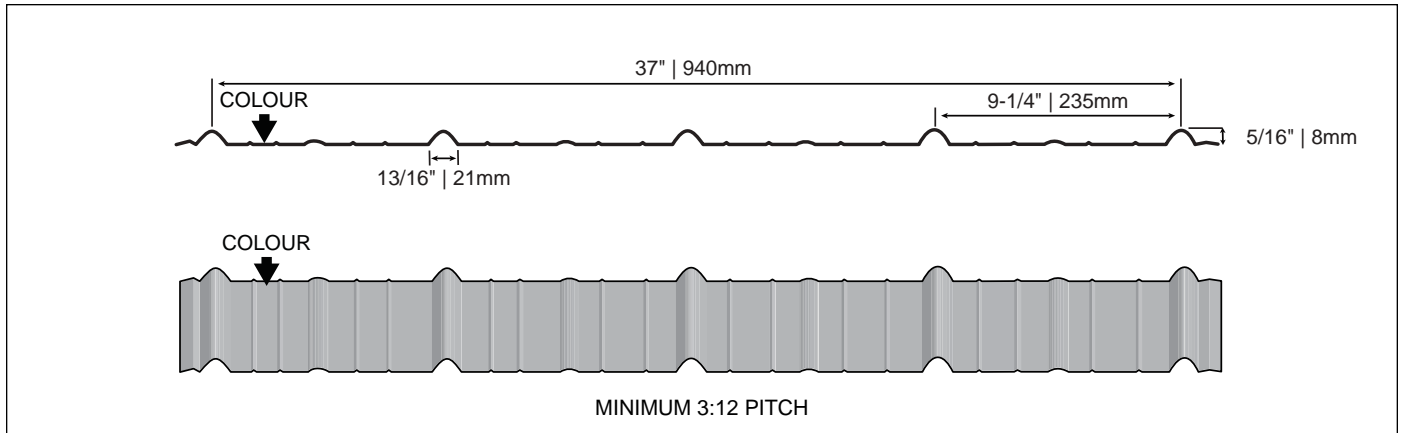


Classic/Comm	Colour Code	Gauge(s)			Classic/Comm	Colour Code	Gauge(s)			Classic/Comm	Colour Code	Gauge(s)		
		29	26				29	26				29	26	
Antique Linen	8696				Dark Red	8250	•			Melcher's Green	8307	•		
Black	8262	•	•		Deep Water Green	8684				Metro Brown	8228		•	
Bone White	8273	•			Desert Gold	8404				Pacific Turquoise	8258			
Bright Red	8386				Galvalume	2	•	•		Regent Grey	8730	•		
Bright White	8783	•			Galvanized	1	•	•		Royal Blue	8790			
Buckskin	9202	•	•		Gold	8276				Sapphire Blue	8261			
Burgundy	8873				Heron Blue	8330			•	Slate Blue	8260			
Bronze	8406				Hickory Moss	8368	•			Stone Grey	8305			
Cambridge White	8695				Int'l Orange	8234				Tan	8315	•		
Charcoal	8306	•	•		Ivory	8802				Tile Red	8269		•	
Coffee	8326	•	•		Light Stone	8367				Whistler Green	8093	•	•	
Dark Brown	8229		•		Medium Green	8329				White White	8317	•	•	

Textured	Colour Code	Gauge(s)			Textured	Colour Code	Gauge(s)			Exotic	Colour Code	Gauge(s)		
		29					29					29		
Chocolate Brown	6034				Jet Black	6039				Copper Penny	8029			
Chrome Green	6037				Oxide Red	6042				Dark Zinc	1430			
Graphite Grey	6035				Sepia Brown	6041				Rustic Red	1426			
										Silver Mist	8047			

Product Description	Grade(s)	lbs./Lin. Ft.	Additional Information
29 Gauge Plain Galvanized	50	1.82	<p>PLEASE CALL FOR PRICING Please contact your nearest location for availability and minimum/maximum lengths. Extended lead time may be required.</p>
29 Gauge Plain Galvalume	50	1.82	
29 Gauge Coloured	50	1.82	
26 Gauge Plain Galvanized	33	2.34	
26 Gauge Plain Galvalume	33	2.34	
26 Gauge Coloured	33	2.34	

Check your local Westman branch for colour availability • Prices subject to change without notice. • “Special” crating charges where applicable. Charges apply for Short Sheet production less than 36” • Fabrication charges where applicable.

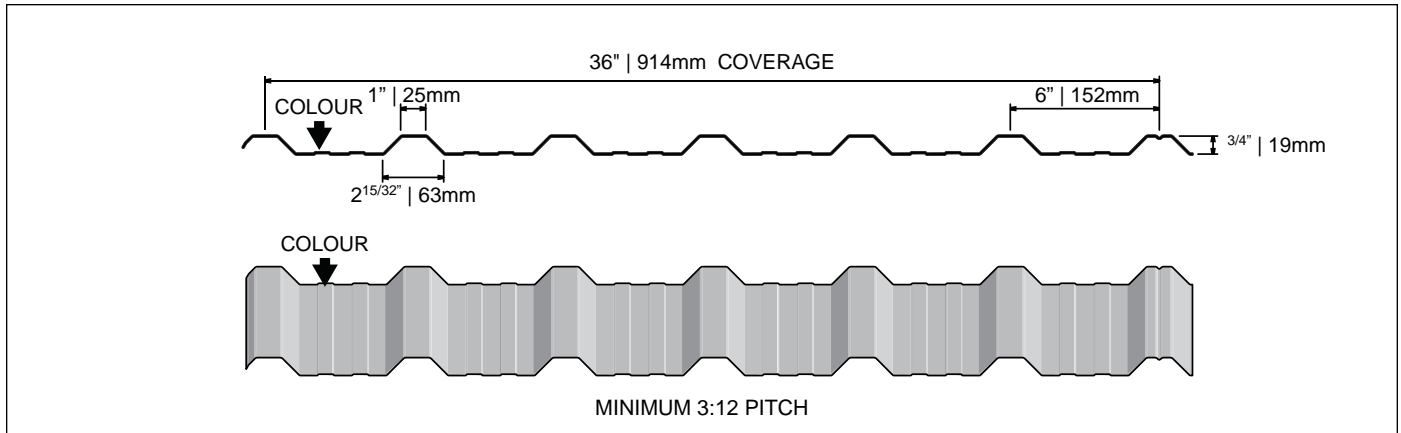
Market Segments – Agricultural | Residential


Classic/Comm	Colour Code	Gauge(s)			Classic/Comm	Colour Code	Gauge(s)			Classic/Comm	Colour Code	Gauge(s)		
		29	26				29	26				29	26	
Antique Linen	8696				Dark Red	8250	•			Melcher's Green	8307	•		
Black	8262	•			Deep Water Green	8684	•			Metro Brown	8228	•		
Bone White	8273	•			Desert Gold	8404				Pacific Turquoise	8258	•		
Bright Red	8386	•			Galvalume	2	•			Regent Grey	8730	•		
Bright White	8783	•			Galvanized	1	•			Royal Blue	8790	•		
Buckskin	9202	•			Gold	8276	•			Sapphire Blue	8261	•		
Burgundy	8873	•			Heron Blue	8330	•			Slate Blue	8260	•		
Bronze	8406				Hickory Moss	8368	•			Stone Grey	8305	•		
Cambridge White	8695				Int'l Orange	8234	•			Tan	8315	•		
Charcoal	8306	•			Ivory	8802	•			Tile Red	8269	•		
Coffee	8326	•			Light Stone	8367	•			Whistler Green	8093	•		
Dark Brown	8229				Medium Green	8329	•			White White	8317	•		

Textured	Colour Code	Gauge(s)			Textured	Colour Code	Gauge(s)			Exotic	Colour Code	Gauge(s)		
		29	26				29	26				29	26	
Chocolate Brown	6034				Jet Black	6039				Copper Penny	8029	•		
Chrome Green	6037				Oxide Red	6042				Dark Zinc	1430			
Graphite Grey	6035				Sepia Brown	6041				Rustic Red	1426			
										Silver Mist	8047			

Product Description	Grade(s)	lbs./Lin. Ft.	Additional Information
29 Gauge Plain Galvanized	80	2.03	PLEASE CALL FOR PRICING Please contact your nearest location for availability and minimum/maximum lengths. Extended lead time may be required.
29 Gauge Plain Galvalume	80	2.03	
29 Gauge Coloured	80	2.03	

Check your local Westman branch for colour availability • Prices subject to change without notice. • "Special" crating charges where applicable. Charges apply for Short Sheet production less than 36" • Fabrication charges where applicable.

Market Segments – Agricultural | Residential | Commercial


Classic/Comm	Colour Code	Gauge(s)		
		26	24	
Antique Linen	8696	•	•	
Black	8262	•		
Bone White	8273	•	•	
Bright Red	8386			
Bright White	8783	•	•	
Buckskin	9202	•	•	
Burgundy	8873			
Bronze	8406		•	
Cambridge White	8695	•		
Charcoal	8306	•	•	
Coffee	8326	•	•	
Dark Brown	8229			

Classic/Comm	Colour Code	Gauge(s)		
		26	24	
Dark Red	8250	•		
Deep Water Green	8684			
Desert Gold	8404	•	•	
Galvalume	2	•	•	
Galvanized	1			
Gold	8276	•	•	
Heron Blue	8330	•	•	
Hickory Moss	8368			
Int'l Orange	8234	•		
Ivory	8802			
Light Stone	8367	•		
Medium Green	8329	•		

Classic/Comm	Colour Code	Gauge(s)		
		26	24	
Melcher's Green	8307	•	•	
Metro Brown	8228		•	
Pacific Turquoise	8258			
Regent Grey	8730	•	•	
Royal Blue	8790	•		
Sapphire Blue	8261			
Slate Blue	8260	•	•	
Stone Grey	8305	•	•	
Tan	8315	•	•	
Tile Red	8269			
Whistler Green	8093			
White White	8317	•	•	

Textured	Colour Code	Gauge(s)		
		26	24	
Chocolate Brown	6034	•		
Chrome Green	6037	•		
Graphite Grey	6035	•		

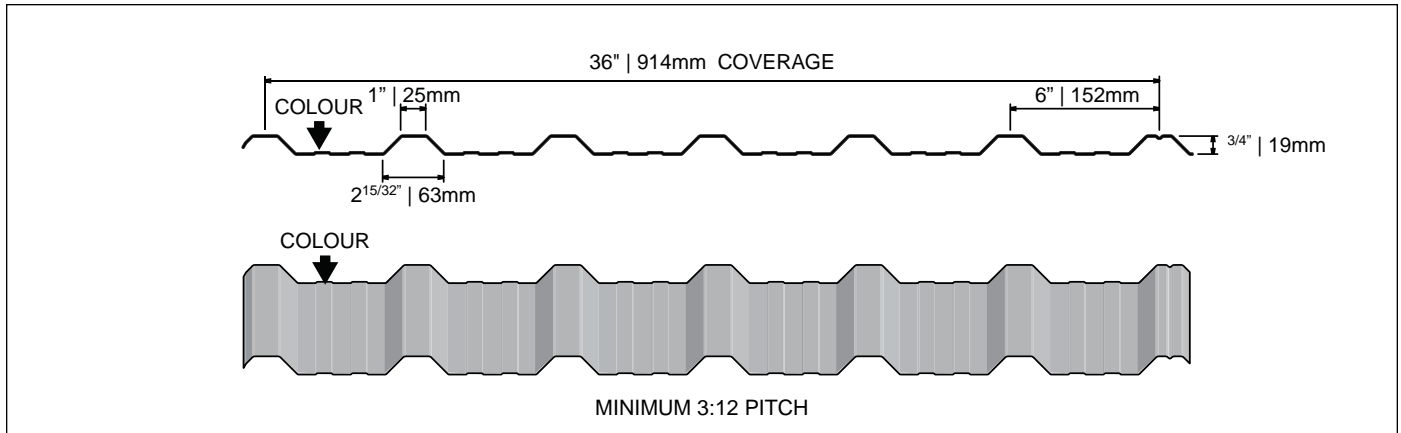
Textured	Colour Code	Gauge(s)		
		26	24	
Jet Black	6039	•		
Oxide Red	6042	•		
Sepia Brown	6041	•		

Exotic	Colour Code	Gauge(s)		
		26	24	
Copper Penny	8029	•	•	
Dark Zinc	1430	•		
Rustic Red	1426	•		
Silver Mist	8047	•		

Product Description	Grade(s)	lbs./Lin. Ft.	Additional Information
26 Gauge Plain Galvalume	50/80	2.82	PLEASE CALL FOR PRICING Please contact your nearest location for availability and minimum/maximum lengths. Extended lead time may be required.
26 Gauge Coloured	50/80	2.82	
24 Gauge Plain Galvalume	33	3.60	
24 Gauge Coloured	33	3.60	

Check your local Westman branch for colour availability • Prices subject to change without notice. • "Special" crating charges where applicable. Charges apply for Short Sheet production less than 36" • Fabrication charges where applicable.

Market Segments – Agricultural | Residential | Commercial



Classic/Comm	Colour Code	Gauge(s)		
		29	26	
Antique Linen	8696			
Black	8262	•		
Bone White	8273	•		
Bright Red	8386	•		
Bright White	8783	•		
Buckskin	9202	•		
Burgundy	8873	•		
Bronze	8406			
Cambridge White	8695			
Charcoal	8306	•		
Coffee	8326	•		
Dark Brown	8229			

Classic/Comm	Colour Code	Gauge(s)		
		29	26	
Dark Red	8250	•		
Deep Water Green	8684	•		
Desert Gold	8404			
Galvalume	2	•		
Galvanized	1	•		
Gold	8276	•		
Heron Blue	8330	•		
Hickory Moss	8368	•		
Int'l Orange	8234	•		
Ivory	8802	•		
Light Stone	8367	•		
Medium Green	8329	•		

Classic/Comm	Colour Code	Gauge(s)		
		29	26	
Melcher's Green	8307	•		
Metro Brown	8228	•		
Pacific Turquoise	8258	•		
Regent Grey	8730	•		
Royal Blue	8790	•		
Sapphire Blue	8261	•		
Slate Blue	8260	•		
Stone Grey	8305	•		
Tan	8315	•		
Tile Red	8269	•		
Whistler Green	8093	•		
White White	8317	•		

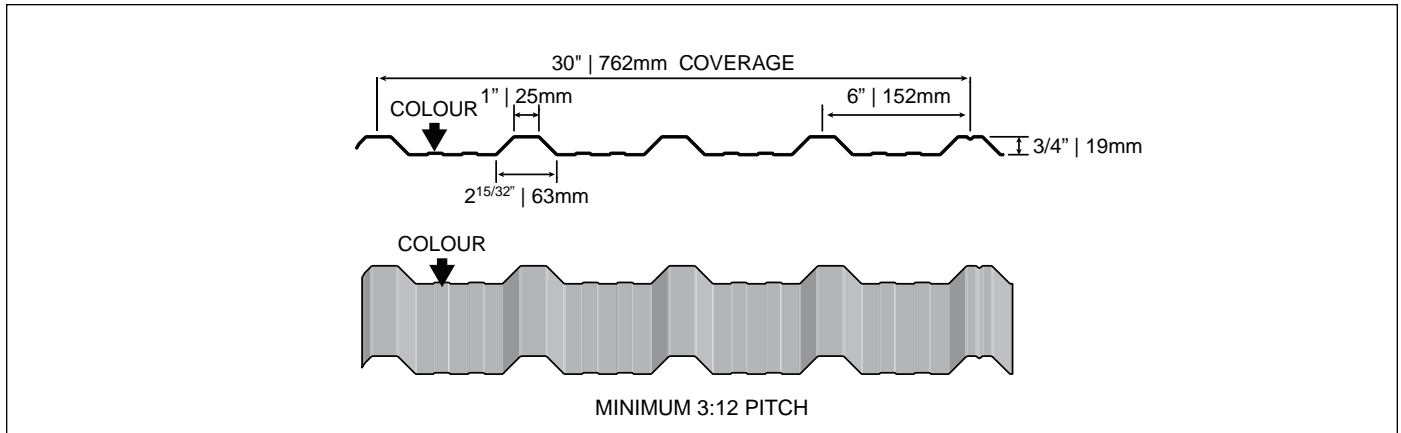
Textured	Colour Code	Gauge(s)		
		29	26	
Chocolate Brown	6034			
Chrome Green	6037			
Graphite Grey	6035			

Textured	Colour Code	Gauge(s)		
		29	26	
Jet Black	6039			
Oxide Red	6042			
Sepia Brown	6041			

Exotic	Colour Code	Gauge(s)		
		29	26	
Copper Penny	8029	•		
Dark Zinc	1430			
Rustic Red	1426			
Silver Mist	8047			

Product Description	Grade(s)	lbs./Lin. Ft.	Additional Information
29 Gauge Plain Galvanized	80	2.03	<p>PLEASE CALL FOR PRICING Please contact your nearest location for availability and minimum/maximum lengths. Extended lead time may be required.</p>
29 Gauge Plain Galvalume	80	2.03	
29 Gauge Coloured	80	2.03	

Check your local Westman branch for colour availability • Prices subject to change without notice. • "Special" crating charges where applicable. Charges apply for Short Sheet production less than 36" • Fabrication charges where applicable.

Market Segments – Agricultural | Residential | Commercial


Classic/Comm	Colour Code	Gauge(s)		
		29	26	
Antique Linen	8696			
Black	8262	•	•	
Bone White	8273	•		
Bright Red	8386			
Bright White	8783	•		
Buckskin	9202	•	•	
Burgundy	8873			
Bronze	8406			
Cambridge White	8695			
Charcoal	8306	•	•	
Coffee	8326	•	•	
Dark Brown	8229		•	

Classic/Comm	Colour Code	Gauge(s)		
		29	26	
Dark Red	8250	•		
Deep Water Green	8684			
Desert Gold	8404			
Galvalume	2	•	•	
Galvanized	1	•	•	
Gold	8276			
Heron Blue	8330		•	
Hickory Moss	8368	•		
Int'l Orange	8234			
Ivory	8802			
Light Stone	8367			
Medium Green	8329			

Classic/Comm	Colour Code	Gauge(s)		
		29	26	
Melcher's Green	8307	•		
Metro Brown	8228		•	
Pacific Turquoise	8258			
Regent Grey	8730	•		
Royal Blue	8790			
Sapphire Blue	8261			
Slate Blue	8260			
Stone Grey	8305			
Tan	8315	•		
Tile Red	8269		•	
Whistler Green	8093	•	•	
White White	8317	•	•	

Textured	Colour Code	Gauge(s)		
		29	26	
Chocolate Brown	6034			
Chrome Green	6037			
Graphite Grey	6035			

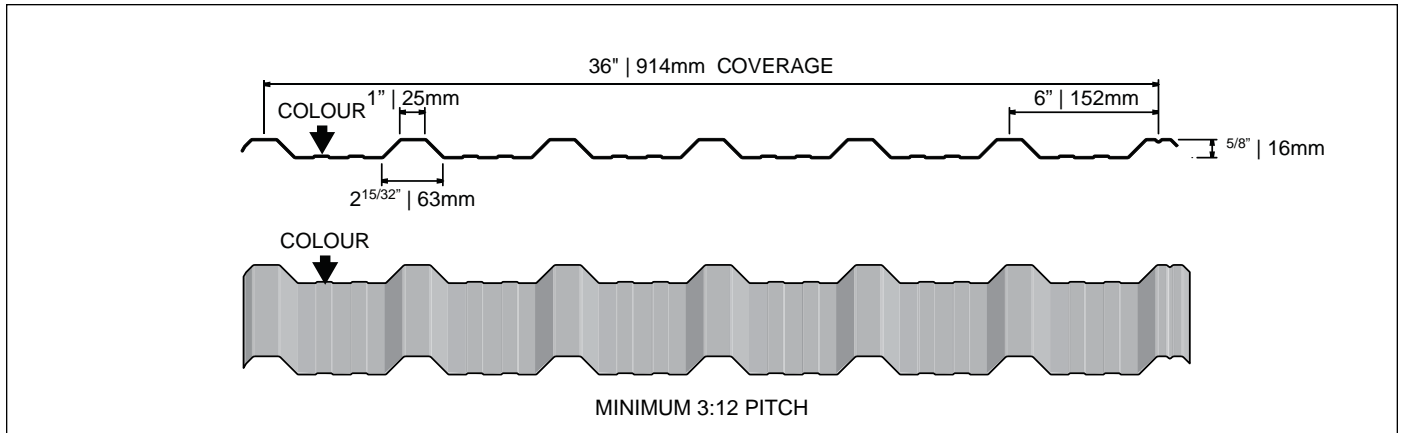
Textured	Colour Code	Gauge(s)		
		29	26	
Jet Black	6039			
Oxide Red	6042			
Sepia Brown	6041			

Exotic	Colour Code	Gauge(s)		
		29	26	
Copper Penny	8029			
Dark Zinc	1430			
Rustic Red	1426			
Silver Mist	8047			

Product Description	Grade(s)	lbs./Lin. Ft.	Additional Information
29 Gauge Plain Galvanized	50	1.82	PLEASE CALL FOR PRICING Please contact your nearest location for availability and minimum/maximum lengths. Extended lead time may be required.
29 Gauge Plain Galvalume	50	1.82	
29 Gauge Coloured	50	1.82	
26 Gauge Plain Galvanized	33	2.34	
26 Gauge Plain Galvalume	33	2.34	
26 Gauge Coloured	33	2.34	

Check your local Westman branch for colour availability • Prices subject to change without notice. • "Special" crating charges where applicable. Charges apply for Short Sheet production less than 36" • Fabrication charges where applicable.

Market Segments – Agricultural | Residential | Commercial



Classic/Comm	Colour Code	Gauge(s)		
		29	26	
Antique Linen	8696			
Black	8262	•		
Bone White	8273	•		
Bright Red	8386	•		
Bright White	8783	•		
Buckskin	9202	•		
Burgundy	8873	•		
Bronze	8406			
Cambridge White	8695			
Charcoal	8306	•		
Coffee	8326	•		
Dark Brown	8229			

Classic/Comm	Colour Code	Gauge(s)		
		29	26	
Dark Red	8250	•		
Deep Water Green	8684	•		
Desert Gold	8404			
Galvalume	2	•		
Galvanized	1	•		
Gold	8276	•		
Heron Blue	8330	•		
Hickory Moss	8368	•		
Int'l Orange	8234	•		
Ivory	8802	•		
Light Stone	8367	•		
Medium Green	8329	•		

Classic/Comm	Colour Code	Gauge(s)		
		29	26	
Melcher's Green	8307	•		
Metro Brown	8228	•		
Pacific Turquoise	8258	•		
Regent Grey	8730	•		
Royal Blue	8790	•		
Sapphire Blue	8261	•		
Slate Blue	8260	•		
Stone Grey	8305	•		
Tan	8315	•		
Tile Red	8269	•		
Whistler Green	8093	•		
White White	8317	•		

Textured	Colour Code	Gauge(s)		
		29	26	
Chocolate Brown	6034			
Chrome Green	6037			
Graphite Grey	6035			

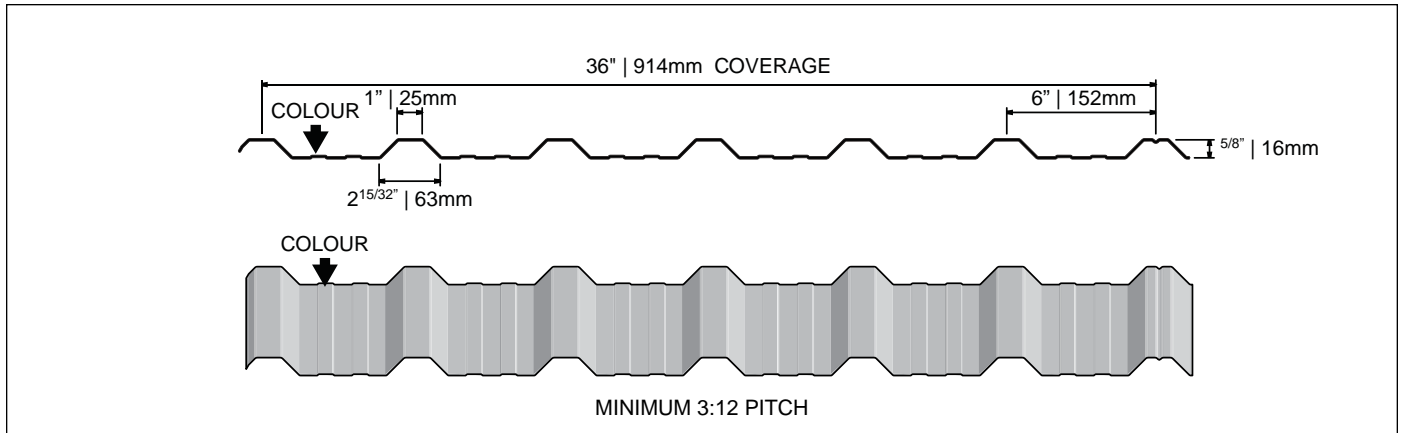
Textured	Colour Code	Gauge(s)		
		29	26	
Jet Black	6039			
Oxide Red	6042			
Sepia Brown	6041			

Exotic	Colour Code	Gauge(s)		
		29	26	
Copper Penny	8029	•		
Dark Zinc	1430			
Rustic Red	1426			
Silver Mist	8047			

Product Description	Grade(s)	lbs./Lin. Ft.	Additional Information
29 Gauge Plain Galvanized	80	2.03	<p>PLEASE CALL FOR PRICING Please contact your nearest location for availability and minimum/maximum lengths. Extended lead time may be required.</p>
29 Gauge Plain Galvalume	80	2.03	
29 Gauge Coloured	80	2.03	

Check your local Westman branch for colour availability • Prices subject to change without notice. • "Special" crating charges where applicable. Charges apply for Short Sheet production less than 36" • Fabrication charges where applicable.

Market Segments – Agricultural | Residential | Commercial



Classic/Comm	Colour Code	Gauge(s)		
		26	24	
Antique Linen	8696	•	•	
Black	8262	•		
Bone White	8273	•	•	
Bright Red	8386			
Bright White	8783	•	•	
Buckskin	9202	•	•	
Burgundy	8873			
Bronze	8406		•	
Cambridge White	8695	•		
Charcoal	8306	•	•	
Coffee	8326	•	•	
Dark Brown	8229			

Classic/Comm	Colour Code	Gauge(s)		
		26	24	
Dark Red	8250	•		
Deep Water Green	8684			
Desert Gold	8404	•	•	
Galvalume	2	•	•	
Galvanized	1			
Gold	8276	•	•	
Heron Blue	8330	•	•	
Hickory Moss	8368			
Int'l Orange	8234	•		
Ivory	8802			
Light Stone	8367	•		
Medium Green	8329	•		

Classic/Comm	Colour Code	Gauge(s)		
		26	24	
Melcher's Green	8307	•	•	
Metro Brown	8228		•	
Pacific Turquoise	8258			
Regent Grey	8730	•	•	
Royal Blue	8790	•		
Sapphire Blue	8261			
Slate Blue	8260	•	•	
Stone Grey	8305	•	•	
Tan	8315	•	•	
Tile Red	8269			
Whistler Green	8093			
White White	8317	•	•	

Textured	Colour Code	Gauge(s)		
		26	24	
Chocolate Brown	6034	•		
Chrome Green	6037	•		
Graphite Grey	6035	•		

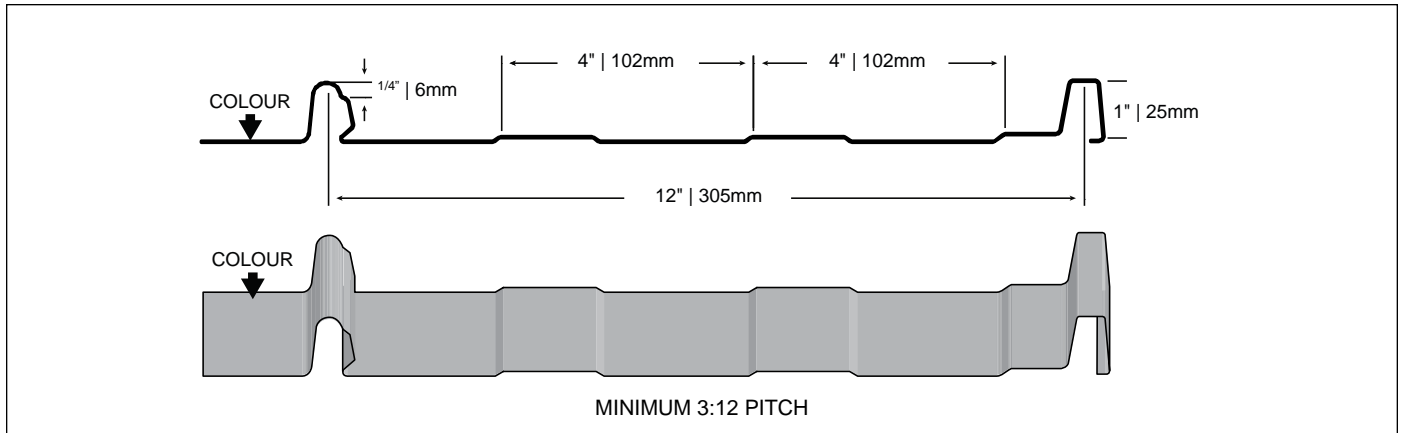
Textured	Colour Code	Gauge(s)		
		26	24	
Jet Black	6039	•		
Oxide Red	6042	•		
Sepia Brown	6041	•		

Exotic	Colour Code	Gauge(s)		
		26	24	
Copper Penny	8029	•	•	
Dark Zinc	1430	•		
Rustic Red	1426	•		
Silver Mist	8047	•		

Product Description	Grade(s)	lbs./Lin. Ft.	Additional Information
26 Gauge Plain Galvalume	50/80	2.82	<p>PLEASE CALL FOR PRICING Please contact your nearest location for availability and minimum/maximum lengths. Extended lead time may be required.</p>
26 Gauge Coloured	50/80	2.82	
24 Gauge Plain Galvalume	33	3.60	
24 Gauge Coloured	33	3.60	

Check your local Westman branch for colour availability • Prices subject to change without notice. • "Special" crating charges where applicable. Charges apply for Short Sheet production less than 36" • Fabrication charges where applicable.

Market Segments – Residential | Commercial



Classic/Comm	Colour Code	Gauge(s)		
		26	24	
Antique Linen	8696	•	•	
Black	8262	•		
Bone White	8273	•	•	
Bright Red	8386	•		
Bright White	8783	•	•	
Buckskin	9202	•	•	
Burgundy	8873			
Bronze	8406			
Cambridge White	8695	•		
Charcoal	8306	•	•	
Coffee	8326	•	•	
Dark Brown	8229	•	•	

Classic/Comm	Colour Code	Gauge(s)		
		26	24	
Dark Red	8250	•		
Deep Water Green	8684			
Desert Gold	8404			
Galvalume	2	•	•	
Galvanized	1	•		
Gold	8276	•	•	
Heron Blue	8330	•	•	
Hickory Moss	8368			
Int'l Orange	8234			
Ivory	8802			
Light Stone	8367	•		
Medium Green	8329			

Classic/Comm	Colour Code	Gauge(s)		
		26	24	
Melcher's Green	8307	•	•	
Metro Brown	8228	•	•	
Pacific Turquoise	8258			
Regent Grey	8730	•	•	
Royal Blue	8790	•		
Sapphire Blue	8261			
Slate Blue	8260	•	•	
Stone Grey	8305	•	•	
Tan	8315	•		
Tile Red	8269	•		
Whistler Green	8093	•		
White White	8317	•	•	

Textured	Colour Code	Gauge(s)		
		26	24	
Chocolate Brown	6034	•		
Chrome Green	6037	•		
Graphite Grey	6035	•		

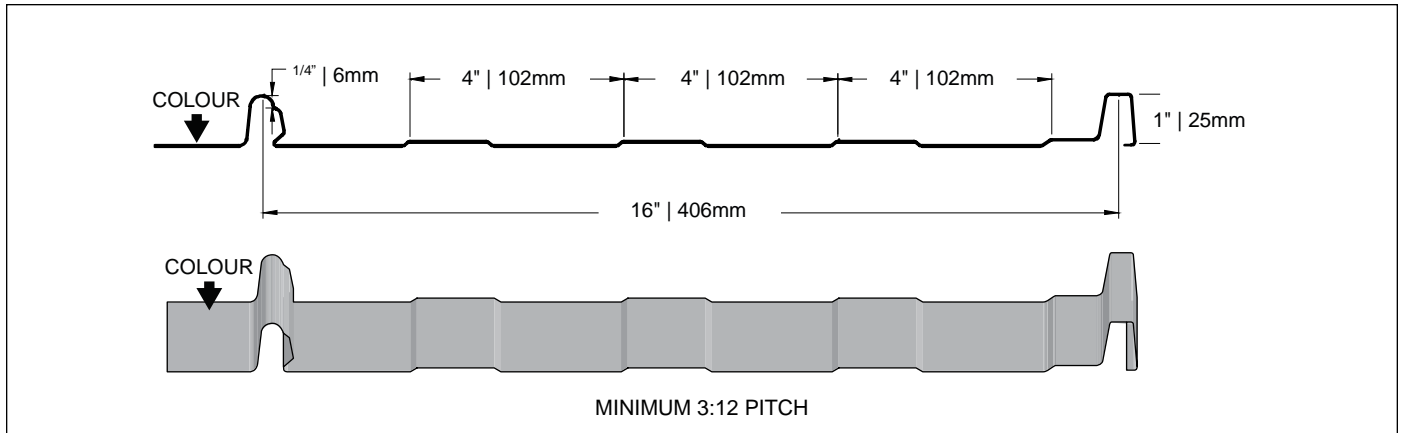
Textured	Colour Code	Gauge(s)		
		26	24	
Jet Black	6039	•		
Oxide Red	6042	•		
Sepia Brown	6041	•		

Exotic	Colour Code	Gauge(s)		
		26	24	
Copper Penny	8029	•	•	
Dark Zinc	1430	•		
Rustic Red	1426	•		
Silver Mist	8047	•		

Product Description	Grade(s)	lbs./Lin. Ft.	Additional Information
26 Gauge Plain Galvanized	33/50	1.23	<p>PLEASE CALL FOR PRICING Please contact your nearest location for availability and minimum/maximum lengths. Extended lead time may be required.</p>
26 Gauge Plain Galvalume	33/50	1.23	
26 Gauge Coloured	33/50	1.23	
24 Gauge Plain Galvalume	33	1.50	
24 Gauge Coloured	33	1.50	

Check your local Westman branch for colour availability • Prices subject to change without notice. • "Special" crating charges where applicable. Charges apply for Short Sheet production less than 36" • Fabrication charges where applicable.

Market Segments – Residential | Commercial



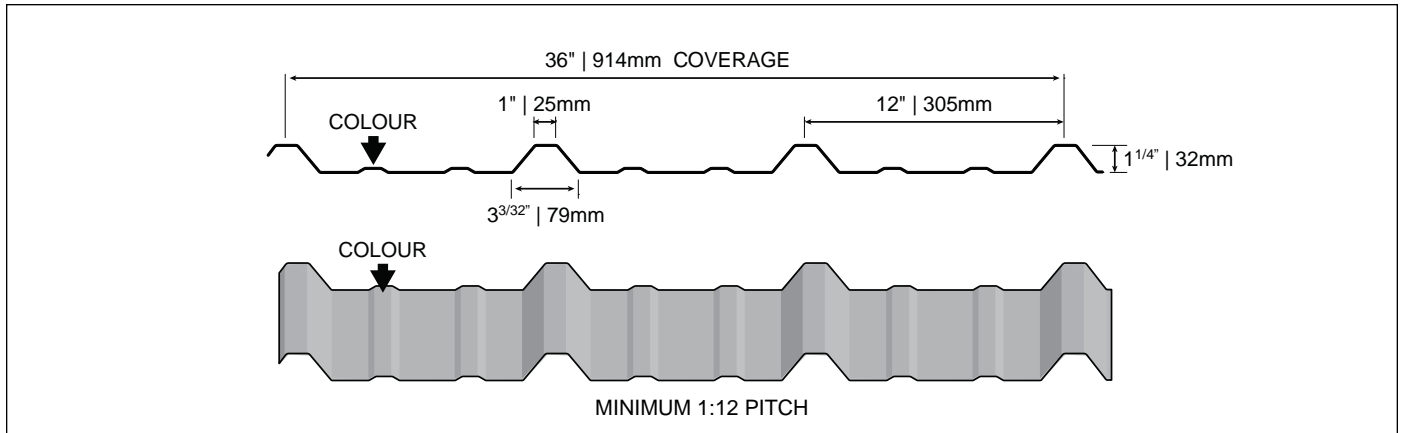
Classic/Comm	Colour Code	Gauge(s)			Classic/Comm	Colour Code	Gauge(s)			Classic/Comm	Colour Code	Gauge(s)		
		26	24				26	24				26	24	
Antique Linen	8696	•	•		Dark Red	8250	•			Melcher's Green	8307	•	•	
Black	8262	•			Deep Water Green	8684				Metro Brown	8228	•	•	
Bone White	8273	•	•		Desert Gold	8404				Pacific Turquoise	8258			
Bright Red	8386	•			Galvalume	2	•	•		Regent Grey	8730	•	•	
Bright White	8783	•	•		Galvanized	1	•			Royal Blue	8790	•		
Buckskin	9202	•	•		Gold	8276	•	•		Sapphire Blue	8261			
Burgundy	8873				Heron Blue	8330	•	•		Slate Blue	8260	•	•	
Bronze	8406				Hickory Moss	8368				Stone Grey	8305	•	•	
Cambridge White	8695	•			Int'l Orange	8234				Tan	8315	•		
Charcoal	8306	•	•		Ivory	8802				Tile Red	8269	•		
Coffee	8326	•	•		Light Stone	8367	•			Whistler Green	8093	•		
Dark Brown	8229	•	•		Medium Green	8329				White White	8317	•	•	

Textured	Colour Code	Gauge(s)			Textured	Colour Code	Gauge(s)			Exotic	Colour Code	Gauge(s)		
		26	24				26	24				26	24	
Chocolate Brown	6034	•			Jet Black	6039	•			Copper Penny	8029	•	•	
Chrome Green	6037	•			Oxide Red	6042	•			Dark Zinc	1430	•		
Graphite Grey	6035	•			Sepia Brown	6041	•			Rustic Red	1426	•		
										Silver Mist	8047	•		

Product Description	Grade(s)	lbs./Lin. Ft.	Additional Information
26 Gauge Plain Galvanized	33/50	1.41	<p>PLEASE CALL FOR PRICING Please contact your nearest location for availability and minimum/maximum lengths. Extended lead time may be required.</p>
26 Gauge Plain Galvalume	33/50	1.41	
26 Gauge Coloured	33/50	1.41	
24 Gauge Plain Galvalume	33	1.81	
24 Gauge Coloured	33	1.81	

Check your local Westman branch for colour availability • Prices subject to change without notice. • "Special" crating charges where applicable. Charges apply for Short Sheet production less than 36" • Fabrication charges where applicable.

Market Segments – Agricultural | Commercial



Classic/Comm	Colour Code	Gauge(s)		
		26	24	
Antique Linen	8696	•	•	
Black	8262	•		
Bone White	8273	•	•	
Bright Red	8386			
Bright White	8783	•	•	
Buckskin	9202	•	•	
Burgundy	8873			
Bronze	8406		•	
Cambridge White	8695	•		
Charcoal	8306	•	•	
Coffee	8326	•	•	
Dark Brown	8229			

Classic/Comm	Colour Code	Gauge(s)		
		26	24	
Dark Red	8250	•		
Deep Water Green	8684			
Desert Gold	8404	•	•	
Galvalume	2	•	•	
Galvanized	1			
Gold	8276	•	•	
Heron Blue	8330	•	•	
Hickory Moss	8368			
Int'l Orange	8234	•		
Ivory	8802			
Light Stone	8367	•		
Medium Green	8329	•		

Classic/Comm	Colour Code	Gauge(s)		
		26	24	
Melcher's Green	8307	•	•	
Metro Brown	8228		•	
Pacific Turquoise	8258			
Regent Grey	8730	•	•	
Royal Blue	8790	•		
Sapphire Blue	8261			
Slate Blue	8260	•	•	
Stone Grey	8305	•	•	
Tan	8315	•	•	
Tile Red	8269			
Whistler Green	8093			
White White	8317	•	•	

Textured	Colour Code	Gauge(s)		
		26	24	
Chocolate Brown	6034	•		
Chrome Green	6037	•		
Graphite Grey	6035	•		

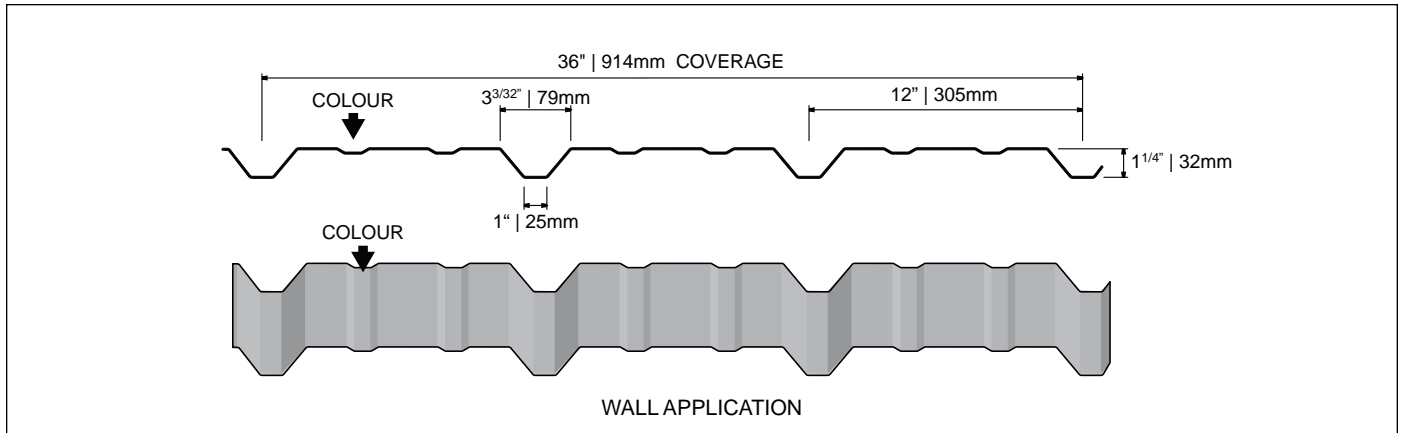
Textured	Colour Code	Gauge(s)		
		26	24	
Jet Black	6039	•		
Oxide Red	6042	•		
Sepia Brown	6041	•		

Exotic	Colour Code	Gauge(s)		
		26	24	
Copper Penny	8029	•	•	
Dark Zinc	1430	•		
Rustic Red	1426	•		
Silver Mist	8047	•		

Product Description	Grade(s)	lbs./Lin. Ft.	Additional Information
26 Gauge Plain Galvalume	50/80	2.82	<p>PLEASE CALL FOR PRICING Please contact your nearest location for availability and minimum/maximum lengths. Extended lead time may be required.</p>
26 Gauge Coloured	50/80	2.82	
24 Gauge Plain Galvalume	33	3.60	
24 Gauge Coloured	33	3.60	

Check your local Westman branch for colour availability • Prices subject to change without notice. • "Special" crating charges where applicable. Charges apply for Short Sheet production less than 36" • Fabrication charges where applicable.

Market Segments – Agricultural | Commercial



Classic/Comm	Colour Code	Gauge(s)		
		26	24	
Antique Linen	8696	•	•	
Black	8262	•		
Bone White	8273	•	•	
Bright Red	8386			
Bright White	8783	•	•	
Buckskin	9202	•	•	
Burgundy	8873			
Bronze	8406		•	
Cambridge White	8695	•		
Charcoal	8306	•	•	
Coffee	8326	•	•	
Dark Brown	8229			

Classic/Comm	Colour Code	Gauge(s)		
		26	24	
Dark Red	8250	•		
Deep Water Green	8684			
Desert Gold	8404	•	•	
Galvalume	2	•	•	
Galvanized	1			
Gold	8276	•	•	
Heron Blue	8330	•	•	
Hickory Moss	8368			
Int'l Orange	8234	•		
Ivory	8802			
Light Stone	8367	•		
Medium Green	8329	•		

Classic/Comm	Colour Code	Gauge(s)		
		26	24	
Melcher's Green	8307	•	•	
Metro Brown	8228		•	
Pacific Turquoise	8258			
Regent Grey	8730	•	•	
Royal Blue	8790	•		
Sapphire Blue	8261			
Slate Blue	8260	•	•	
Stone Grey	8305	•	•	
Tan	8315	•	•	
Tile Red	8269			
Whistler Green	8093			
White White	8317	•	•	

Textured	Colour Code	Gauge(s)		
		26	24	
Chocolate Brown	6034	•		
Chrome Green	6037	•		
Graphite Grey	6035	•		

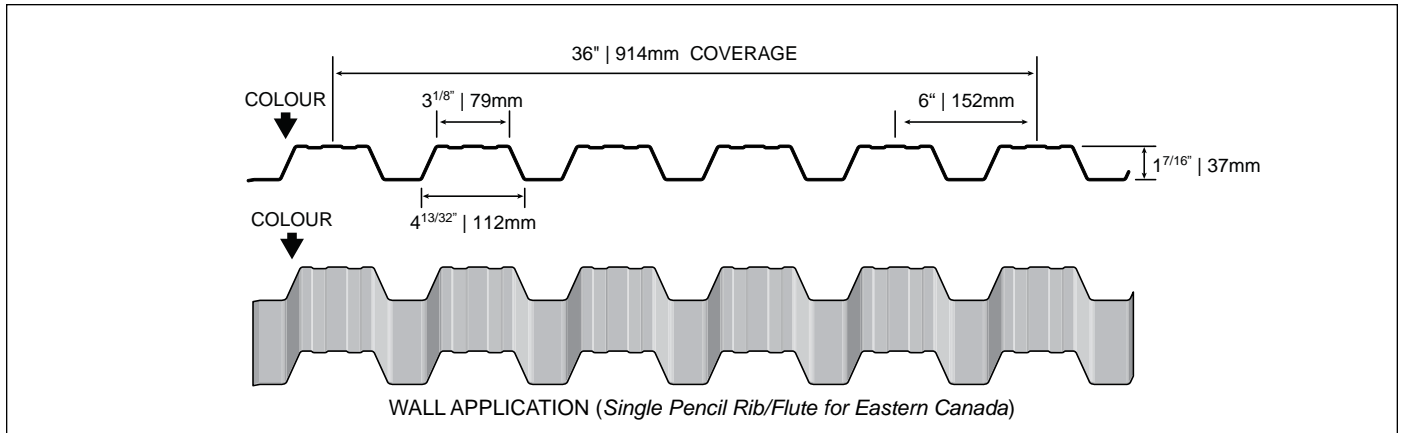
Textured	Colour Code	Gauge(s)		
		26	24	
Jet Black	6039	•		
Oxide Red	6042	•		
Sepia Brown	6041	•		

Exotic	Colour Code	Gauge(s)		
		26	24	
Copper Penny	8029	•	•	
Dark Zinc	1430	•		
Rustic Red	1426	•		
Silver Mist	8047	•		

Product Description	Grade(s)	lbs./Lin. Ft.	Additional Information
26 Gauge Plain Galvalume	50/80	2.82	<p style="text-align: center;">PLEASE CALL FOR PRICING</p> <p>Please contact your nearest location for availability and minimum/maximum lengths.</p> <p>Extended lead time may be required.</p>
26 Gauge Coloured	50/80	2.82	
24 Gauge Plain Galvalume	33	3.60	
24 Gauge Coloured	33	3.60	

Check your local Westman branch for colour availability • Prices subject to change without notice. • "Special" crating charges where applicable. Charges apply for Short Sheet production less than 36" • Fabrication charges where applicable.

Market Segments – Commercial



Classic/Comm	Colour Code	Gauge(s)		
		26	24	
Antique Linen	8696		•	
Black	8262	•	•	
Bone White	8273	•	•	
Bright Red	8386			
Bright White	8783	•		
Buckskin	9202	•	•	
Burgundy	8873			
Bronze	8406			
Cambridge White	8695	•		
Charcoal	8306	•	•	
Coffee	8326	•	•	
Dark Brown	8229	•	•	

Classic/Comm	Colour Code	Gauge(s)		
		26	24	
Dark Red	8250			
Deep Water Green	8684			
Desert Gold	8404			
Galvalume	2	•	•	
Galvanized	1	•		
Gold	8276	•		
Heron Blue	8330	•		
Hickory Moss	8368			
Int'l Orange	8234			
Ivory	8802			
Light Stone	8367			
Medium Green	8329			

Classic/Comm	Colour Code	Gauge(s)		
		26	24	
Melcher's Green	8307	•	•	
Metro Brown	8228	•		
Pacific Turquoise	8258	•		
Regent Grey	8730	•	•	
Royal Blue	8790	•		
Sapphire Blue	8261	•		
Slate Blue	8260	•	•	
Stone Grey	8305	•	•	
Tan	8315	•	•	
Tile Red	8269	•		
Whistler Green	8093			
White White	8317	•	•	

Textured	Colour Code	Gauge(s)		
		26	24	
Chocolate Brown	6034			
Chrome Green	6037			
Graphite Grey	6035			

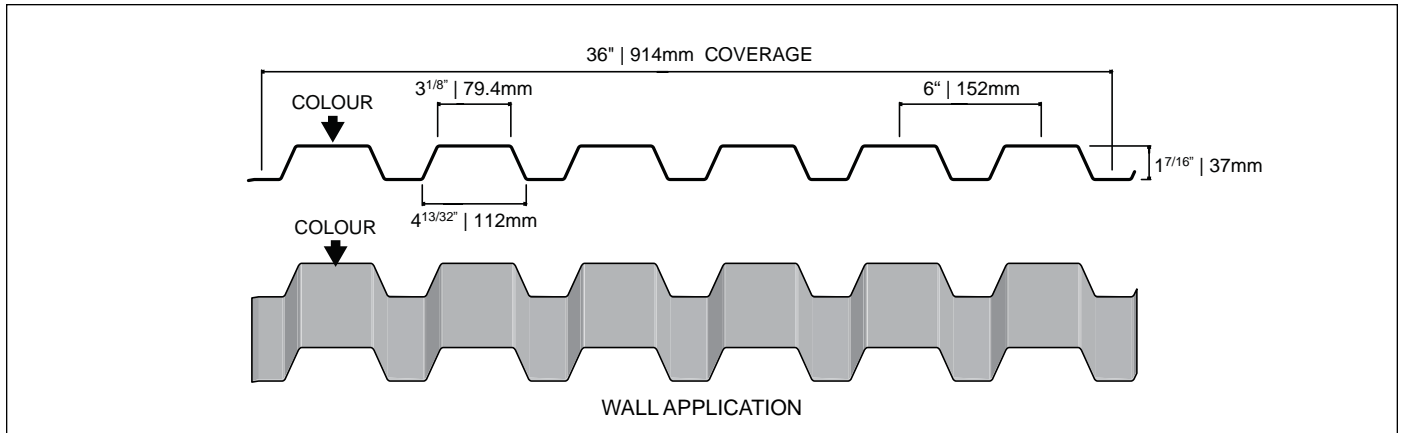
Textured	Colour Code	Gauge(s)		
		26	24	
Jet Black	6039			
Oxide Red	6042			
Sepia Brown	6041			

Exotic	Colour Code	Gauge(s)		
		26	24	
Copper Penny	8029			
Dark Zinc	1430		•	
Rustic Red	1426		•	
Silver Mist	8047		•	

Product Description	Grade(s)	lbs./Lin. Ft.	Additional Information
26 Gauge Plain Galvanized	33/50	3.46	<p>PLEASE CALL FOR PRICING Please contact your nearest location for availability and minimum/maximum lengths. Extended lead time may be required.</p>
26 Gauge Plain Galvalume	33/50	3.46	
26 Gauge Coloured	33/50	3.46	
24 Gauge Plain Galvalume	33	4.30	
24 Gauge Coloured	33	4.30	

Check your local Westman branch for colour availability • Prices subject to change without notice. • "Special" crating charges where applicable. Charges apply for Short Sheet production less than 36" • Fabrication charges where applicable.

Market Segments – Commercial



Classic/Comm	Colour Code	Gauge(s)		
		26	24	
Antique Linen	8696		•	
Black	8262	•	•	
Bone White	8273	•	•	
Bright Red	8386			
Bright White	8783	•		
Buckskin	9202	•	•	
Burgundy	8873			
Bronze	8406			
Cambridge White	8695	•		
Charcoal	8306	•	•	
Coffee	8326	•	•	
Dark Brown	8229	•	•	

Classic/Comm	Colour Code	Gauge(s)		
		26	24	
Dark Red	8250			
Deep Water Green	8684			
Desert Gold	8404			
Galvalume	2	•	•	
Galvanized	1	•		
Gold	8276	•		
Heron Blue	8330	•		
Hickory Moss	8368			
Int'l Orange	8234			
Ivory	8802			
Light Stone	8367			
Medium Green	8329			

Classic/Comm	Colour Code	Gauge(s)		
		26	24	
Melcher's Green	8307	•	•	
Metro Brown	8228	•		
Pacific Turquoise	8258	•		
Regent Grey	8730	•	•	
Royal Blue	8790	•		
Sapphire Blue	8261	•		
Slate Blue	8260	•	•	
Stone Grey	8305	•	•	
Tan	8315	•	•	
Tile Red	8269	•		
Whistler Green	8093			
White White	8317	•	•	

Textured	Colour Code	Gauge(s)		
		26	24	
Chocolate Brown	6034			
Chrome Green	6037			
Graphite Grey	6035			

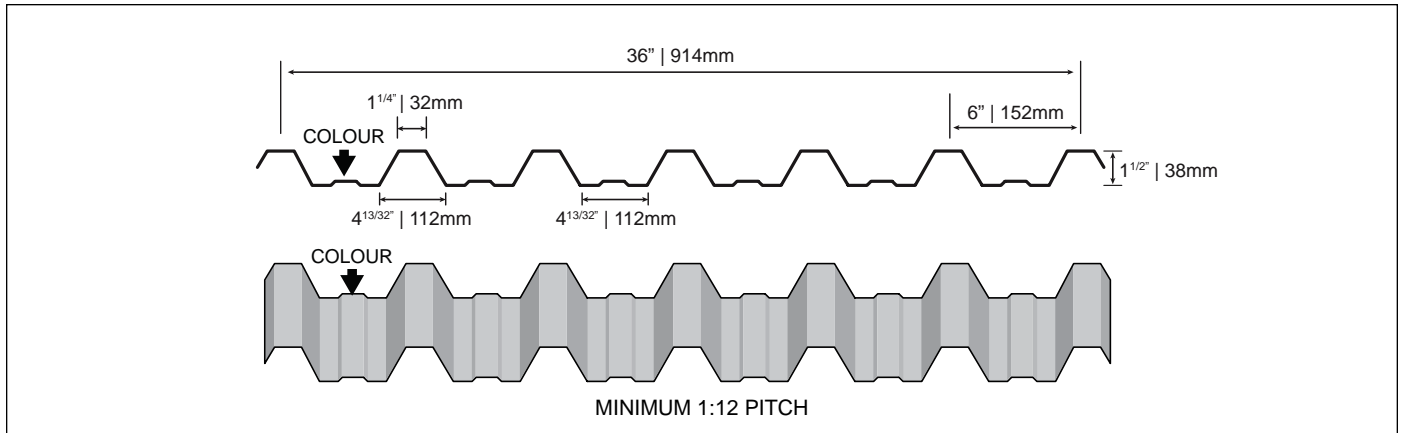
Textured	Colour Code	Gauge(s)		
		26	24	
Jet Black	6039			
Oxide Red	6042			
Sepia Brown	6041			

Exotic	Colour Code	Gauge(s)		
		26	24	
Copper Penny	8029			
Dark Zinc	1430		•	
Rustic Red	1426		•	
Silver Mist	8047		•	

Product Description	Grade(s)	lbs./Lin. Ft.	Additional Information
26 Gauge Plain Galvanized	33/50	3.46	<p>PLEASE CALL FOR PRICING Please contact your nearest location for availability and minimum/maximum lengths. Extended lead time may be required.</p>
26 Gauge Plain Galvalume	33/50	3.46	
26 Gauge Coloured	33/50	3.46	
24 Gauge Plain Galvalume	33	4.30	
24 Gauge Coloured	33	4.30	

Check your local Westman branch for colour availability • Prices subject to change without notice. • "Special" crating charges where applicable. Charges apply for Short Sheet production less than 36" • Fabrication charges where applicable.

Market Segments – Commercial



Classic/Comm	Colour Code	Gauge(s)		
		26	24	
Antique Linen	8696		•	
Black	8262	•	•	
Bone White	8273	•	•	
Bright Red	8386			
Bright White	8783	•		
Buckskin	9202	•	•	
Burgundy	8873			
Bronze	8406			
Cambridge White	8695	•		
Charcoal	8306	•	•	
Coffee	8326	•	•	
Dark Brown	8229	•	•	

Classic/Comm	Colour Code	Gauge(s)		
		26	24	
Dark Red	8250			
Deep Water Green	8684			
Desert Gold	8404			
Galvalume	2	•	•	
Galvanized	1	•		
Gold	8276	•		
Heron Blue	8330	•		
Hickory Moss	8368			
Int'l Orange	8234			
Ivory	8802			
Light Stone	8367			
Medium Green	8329			

Classic/Comm	Colour Code	Gauge(s)		
		26	24	
Melcher's Green	8307	•	•	
Metro Brown	8228	•		
Pacific Turquoise	8258	•		
Regent Grey	8730	•	•	
Royal Blue	8790	•		
Sapphire Blue	8261	•		
Slate Blue	8260	•	•	
Stone Grey	8305	•	•	
Tan	8315	•	•	
Tile Red	8269	•		
Whistler Green	8093			
White White	8317	•	•	

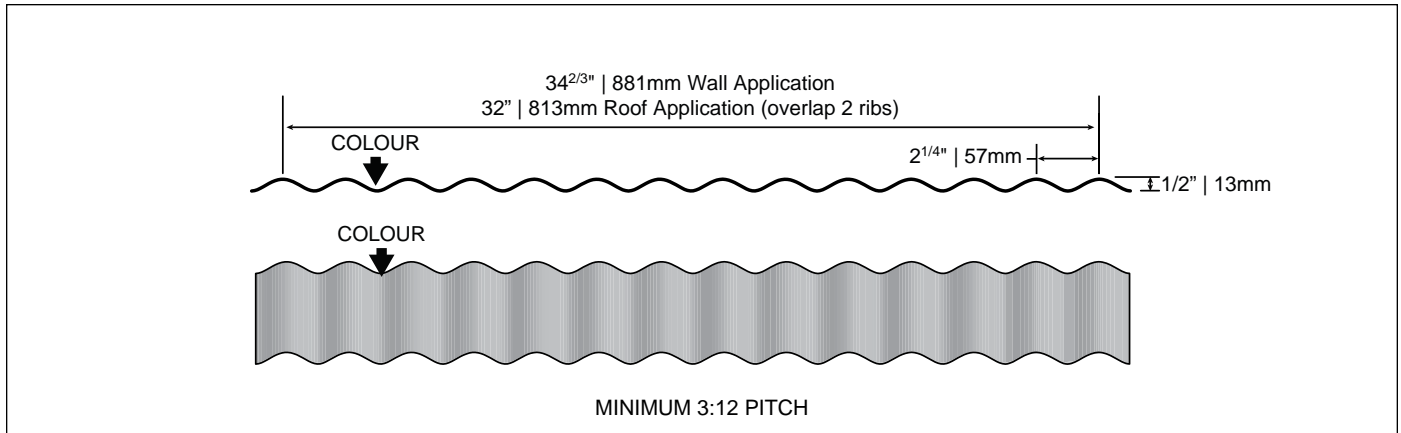
Textured	Colour Code	Gauge(s)		
		26	24	
Chocolate Brown	6034			
Chrome Green	6037			
Graphite Grey	6035			

Textured	Colour Code	Gauge(s)		
		26	24	
Jet Black	6039			
Oxide Red	6042			
Sepia Brown	6041			

Exotic	Colour Code	Gauge(s)		
		26	24	
Copper Penny	8029			
Dark Zinc	1430		•	
Rustic Red	1426		•	
Silver Mist	8047		•	

Product Description	Grade(s)	lbs./Lin. Ft.	Additional Information
26 Gauge Plain Galvanized	33/50	3.46	<p>PLEASE CALL FOR PRICING Please contact your nearest location for availability and minimum/maximum lengths. Extended lead time may be required.</p>
26 Gauge Plain Galvalume	33/50	3.46	
26 Gauge Coloured	33/50	3.46	
24 Gauge Plain Galvalume	33	4.30	
24 Gauge Coloured	33	4.30	

Check your local Westman branch for colour availability • Prices subject to change without notice. • “Special” crating charges where applicable. Charges apply for Short Sheet production less than 36” • Fabrication charges where applicable.

Market Segments – Commercial


Classic/Comm	Colour Code	Gauge(s)		
		29	26	
Antique Linen	8696			
Black	8262	•		
Bone White	8273	•	•	
Bright Red	8386	•		
Bright White	8783	•		
Buckskin	9202	•		
Burgundy	8873	•		
Bronze	8406			
Cambridge White	8695		•	
Charcoal	8306	•		
Coffee	8326	•		
Dark Brown	8229			

Classic/Comm	Colour Code	Gauge(s)		
		29	26	
Dark Red	8250	•	•	
Deep Water Green	8684	•		
Desert Gold	8404			
Galvalume	2	•	•	
Galvanized	1	•		
Gold	8276	•		
Heron Blue	8330	•		
Hickory Moss	8368	•		
Int'l Orange	8234	•		
Ivory	8802	•		
Light Stone	8367	•		
Medium Green	8329	•		

Classic/Comm	Colour Code	Gauge(s)		
		29	26	
Melcher's Green	8307	•	•	
Metro Brown	8228	•		
Pacific Turquoise	8258	•		
Regent Grey	8730	•		
Royal Blue	8790	•		
Sapphire Blue	8261	•		
Slate Blue	8260	•		
Stone Grey	8305	•		
Tan	8315	•	•	
Tile Red	8269	•		
Whistler Green	8093	•		
White White	8317	•	•	

Textured	Colour Code	Gauge(s)		
		29	26	
Chocolate Brown	6034			
Chrome Green	6037			
Graphite Grey	6035			

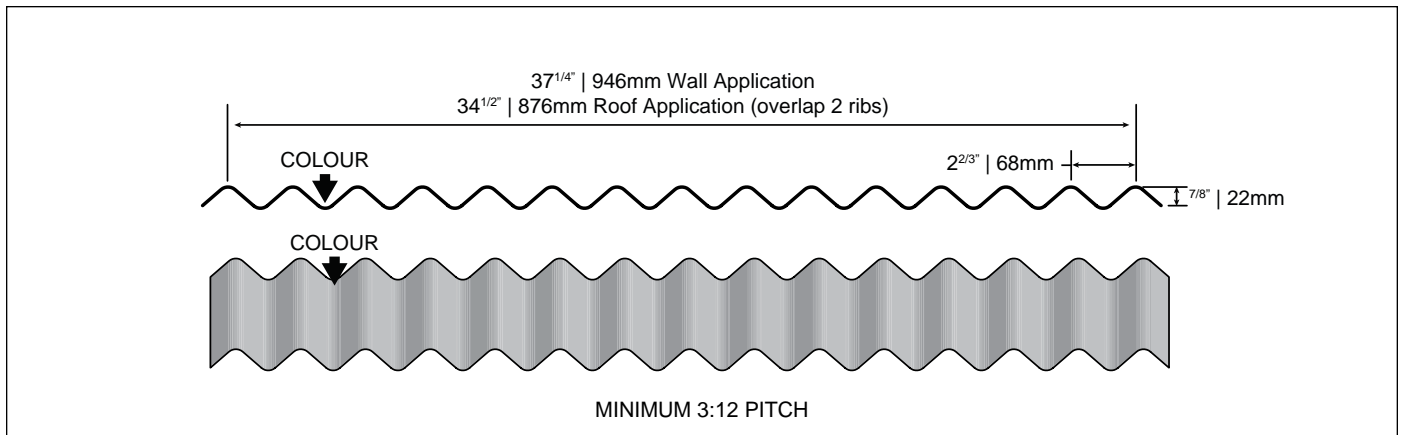
Textured	Colour Code	Gauge(s)		
		29	26	
Jet Black	6039			
Oxide Red	6042			
Sepia Brown	6041			

Exotic	Colour Code	Gauge(s)		
		29	26	
Copper Penny	8029			
Dark Zinc	1430			
Rustic Red	1426			
Silver Mist	8047			

Product Description	Grade(s)	lbs./Lin. Ft.	Additional Information
29 Gauge Plain Galvanized	80	2.03	PLEASE CALL FOR PRICING Please contact your nearest location for availability and minimum/maximum lengths. Extended lead time may be required.
29 Gauge Plain Galvalume	80	2.03	
29 Gauge Coloured	80	2.03	
26 Gauge Plain Galvalume	80	2.92	
26 Gauge Coloured	80	2.92	

Check your local Westman branch for colour availability • Prices subject to change without notice. • "Special" crating charges where applicable. Charges apply for Short Sheet production less than 36" • Fabrication charges where applicable.

Market Segments – Agricultural | Residential | Commercial



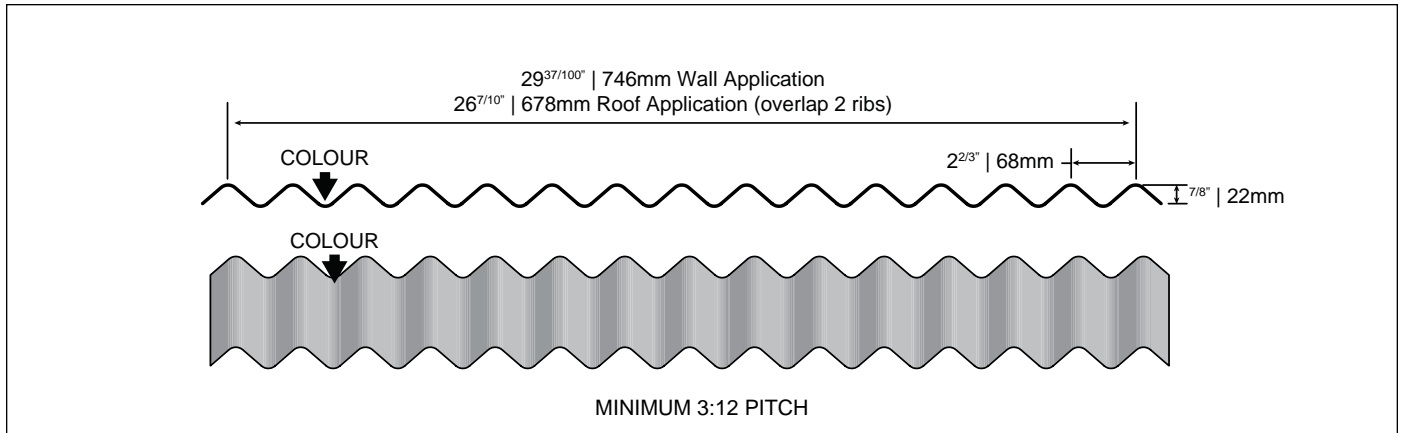
Classic/Comm	Colour Code	Gauge(s)			Classic/Comm	Colour Code	Gauge(s)			Classic/Comm	Colour Code	Gauge(s)		
		26	24				26	24				26	24	
Antique Linen	8696		•		Dark Red	8250				Melcher's Green	8307	•	•	
Black	8262	•	•		Deep Water Green	8684				Metro Brown	8228	•		
Bone White	8273	•	•		Desert Gold	8404				Pacific Turquoise	8258	•		
Bright Red	8386				Galvalume	2	•	•		Regent Grey	8730	•	•	
Bright White	8783	•			Galvanized	1	•			Royal Blue	8790	•		
Buckskin	9202	•	•		Gold	8276	•			Sapphire Blue	8261	•		
Burgundy	8873				Heron Blue	8330	•			Slate Blue	8260	•	•	
Bronze	8406				Hickory Moss	8368				Stone Grey	8305	•	•	
Cambridge White	8695	•			Int'l Orange	8234				Tan	8315	•	•	
Charcoal	8306	•	•		Ivory	8802				Tile Red	8269	•		
Coffee	8326	•	•		Light Stone	8367				Whistler Green	8093			
Dark Brown	8229	•	•		Medium Green	8329				White White	8317	•	•	

Textured	Colour Code	Gauge(s)			Textured	Colour Code	Gauge(s)			Exotic	Colour Code	Gauge(s)		
		26	24				26	24				26	24	
Chocolate Brown	6034				Jet Black	6039				Copper Penny	8029			
Chrome Green	6037				Oxide Red	6042				Dark Zinc	1430		•	
Graphite Grey	6035				Sepia Brown	6041				Rustic Red	1426		•	
										Silver Mist	8047		•	

Product Description	Grade(s)	lbs./Lin. Ft.	Additional Information
26 Gauge Plain Galvanized	33/50	3.46	<p>PLEASE CALL FOR PRICING Please contact your nearest location for availability and minimum/maximum lengths. Extended lead time may be required.</p>
26 Gauge Plain Galvalume	33/50	3.46	
26 Gauge Coloured	33/50	3.46	
24 Gauge Plain Galvalume	33	4.30	
24 Gauge Coloured	33	4.30	

Check your local Westman branch for colour availability • Prices subject to change without notice. • "Special" crating charges where applicable. Charges apply for Short Sheet production less than 36" • Fabrication charges where applicable.

Market Segments – Agricultural | Residential | Commercial

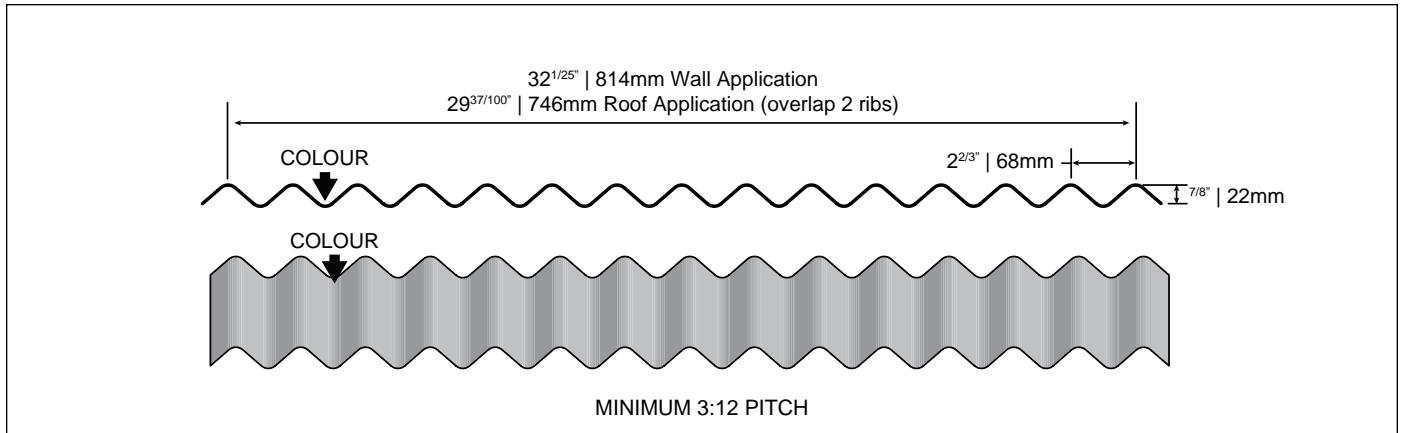


Classic/Comm	Colour Code	Gauge(s)			Classic/Comm	Colour Code	Gauge(s)			Classic/Comm	Colour Code	Gauge(s)		
		29	26				29	26				29	26	
Antique Linen	8696				Dark Red	8250	•			Melcher's Green	8307	•		
Black	8262	•			Deep Water Green	8684	•			Metro Brown	8228	•		
Bone White	8273	•			Desert Gold	8404				Pacific Turquoise	8258	•		
Bright Red	8386	•			Galvalume	2	•			Regent Grey	8730	•		
Bright White	8783	•			Galvanized	1	•			Royal Blue	8790	•		
Buckskin	9202	•			Gold	8276	•			Sapphire Blue	8261	•		
Burgundy	8873	•			Heron Blue	8330	•			Slate Blue	8260	•		
Bronze	8406				Hickory Moss	8368	•			Stone Grey	8305	•		
Cambridge White	8695				Int'l Orange	8234	•			Tan	8315	•		
Charcoal	8306	•			Ivory	8802	•			Tile Red	8269	•		
Coffee	8326	•			Light Stone	8367	•			Whistler Green	8093	•		
Dark Brown	8229				Medium Green	8329	•			White White	8317	•		

Textured	Colour Code	Gauge(s)			Textured	Colour Code	Gauge(s)			Exotic	Colour Code	Gauge(s)		
		29	26				29	26				29	26	
Chocolate Brown	6034				Jet Black	6039				Copper Penny	8029	•		
Chrome Green	6037				Oxide Red	6042				Dark Zinc	1430			
Graphite Grey	6035				Sepia Brown	6041				Rustic Red	1426			
										Silver Mist	8047			

Product Description	Grade(s)	lbs./Lin. Ft.	Additional Information
29 Gauge Plain Galvanized	80	2.03	<p>PLEASE CALL FOR PRICING</p> <p>Please contact your nearest location for availability and minimum/maximum lengths.</p> <p>Extended lead time may be required.</p>
29 Gauge Plain Galvalume	80	2.03	
29 Gauge Coloured	80	2.03	

Check your local Westman branch for colour availability • Prices subject to change without notice. • "Special" crating charges where applicable. Charges apply for Short Sheet production less than 36" • Fabrication charges where applicable.

Market Segments – Agricultural | Residential | Commercial


Classic/Comm	Colour Code	Gauge(s)		
		26	24	
Antique Linen	8696	•	•	
Black	8262	•		
Bone White	8273	•	•	
Bright Red	8386			
Bright White	8783	•	•	
Buckskin	9202	•	•	
Burgundy	8873			
Bronze	8406		•	
Cambridge White	8695	•		
Charcoal	8306	•	•	
Coffee	8326	•	•	
Dark Brown	8229			

Classic/Comm	Colour Code	Gauge(s)		
		26	24	
Dark Red	8250	•		
Deep Water Green	8684			
Desert Gold	8404	•	•	
Galvalume	2	•	•	
Galvanized	1			
Gold	8276	•	•	
Heron Blue	8330	•	•	
Hickory Moss	8368			
Int'l Orange	8234	•		
Ivory	8802			
Light Stone	8367	•		
Medium Green	8329	•		

Classic/Comm	Colour Code	Gauge(s)		
		26	24	
Melcher's Green	8307	•	•	
Metro Brown	8228		•	
Pacific Turquoise	8258			
Regent Grey	8730	•	•	
Royal Blue	8790	•		
Sapphire Blue	8261			
Slate Blue	8260	•	•	
Stone Grey	8305	•	•	
Tan	8315	•	•	
Tile Red	8269			
Whistler Green	8093			
White White	8317	•	•	

Textured	Colour Code	Gauge(s)		
		26	24	
Chocolate Brown	6034	•		
Chrome Green	6037	•		
Graphite Grey	6035	•		

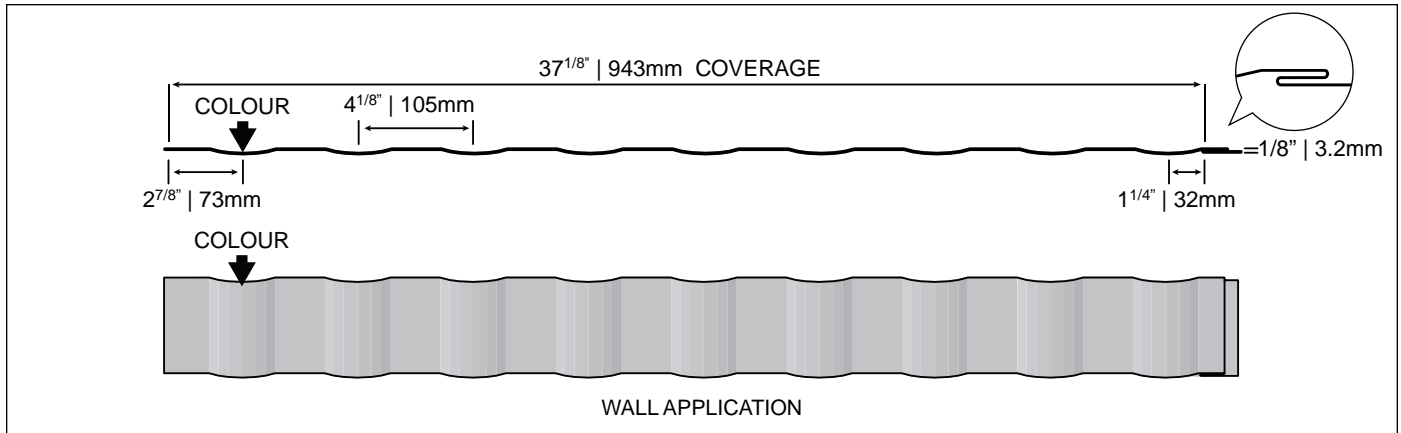
Textured	Colour Code	Gauge(s)		
		26	24	
Jet Black	6039	•		
Oxide Red	6042	•		
Sepia Brown	6041	•		

Exotic	Colour Code	Gauge(s)		
		26	24	
Copper Penny	8029	•	•	
Dark Zinc	1430	•		
Rustic Red	1426	•		
Silver Mist	8047	•		

Product Description	Grade(s)	lbs./Lin. Ft.	Additional Information
26 Gauge Plain Galvalume	50/80	2.82	PLEASE CALL FOR PRICING Please contact your nearest location for availability and minimum/maximum lengths. Extended lead time may be required.
26 Gauge Coloured	50/80	2.82	
24 Gauge Plain Galvalume	33	3.60	
24 Gauge Coloured	33	3.60	

Check your local Westman branch for colour availability • Prices subject to change without notice. • "Special" crating charges where applicable. Charges apply for Short Sheet production less than 36" • Fabrication charges where applicable.

Market Segments – Commercial



Classic/Comm	Colour Code	Gauge(s)		
		29	26	
Antique Linen	8696			
Black	8262	•		
Bone White	8273	•		
Bright Red	8386	•		
Bright White	8783	•		
Buckskin	9202	•		
Burgundy	8873	•		
Bronze	8406			
Cambridge White	8695			
Charcoal	8306	•		
Coffee	8326	•		
Dark Brown	8229			

Classic/Comm	Colour Code	Gauge(s)		
		29	26	
Dark Red	8250	•		
Deep Water Green	8684	•		
Desert Gold	8404			
Galvalume	2	•		
Galvanized	1	•		
Gold	8276	•		
Heron Blue	8330	•		
Hickory Moss	8368	•		
Int'l Orange	8234	•		
Ivory	8802	•		
Light Stone	8367	•		
Medium Green	8329	•		

Classic/Comm	Colour Code	Gauge(s)		
		29	26	
Melcher's Green	8307	•		
Metro Brown	8228	•		
Pacific Turquoise	8258	•		
Regent Grey	8730	•		
Royal Blue	8790	•		
Sapphire Blue	8261	•		
Slate Blue	8260	•		
Stone Grey	8305	•		
Tan	8315	•		
Tile Red	8269	•		
Whistler Green	8093	•		
White White	8317	•		

Textured	Colour Code	Gauge(s)		
		29	26	
Chocolate Brown	6034			
Chrome Green	6037			
Graphite Grey	6035			

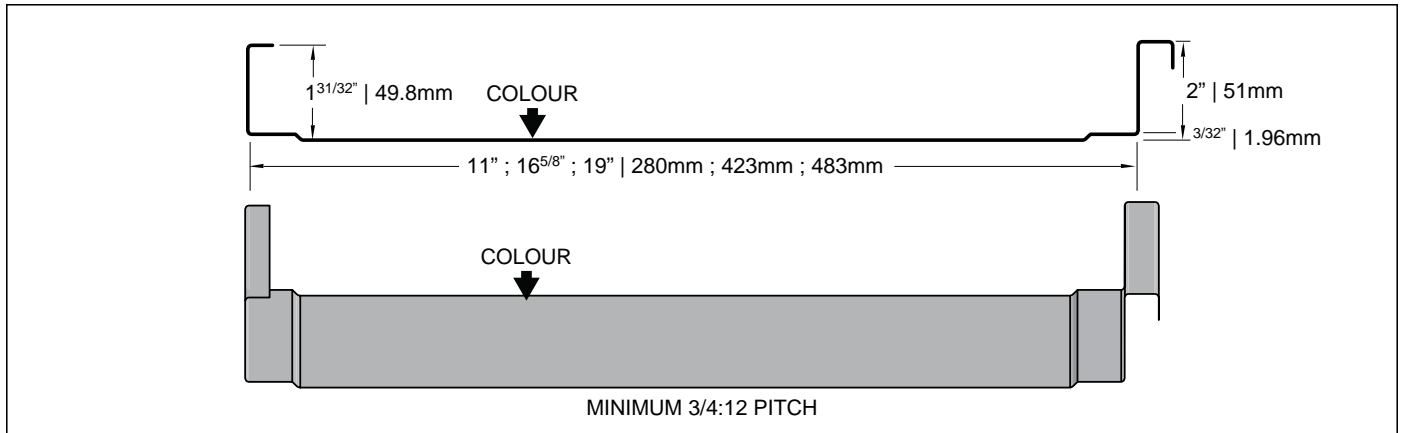
Textured	Colour Code	Gauge(s)		
		29	26	
Jet Black	6039			
Oxide Red	6042			
Sepia Brown	6041			

Exotic	Colour Code	Gauge(s)		
		29	26	
Copper Penny	8029	•		
Dark Zinc	1430			
Rustic Red	1426			
Silver Mist	8047			

Product Description	Grade(s)	lbs./Lin. Ft.	Additional Information
29 Gauge Plain Galvanized	80	2.03	<p>PLEASE CALL FOR PRICING Please contact your nearest location for availability and minimum/maximum lengths. Extended lead time may be required.</p>
29 Gauge Plain Galvalume	80	2.03	
29 Gauge Coloured	80	2.03	

Check your local Westman branch for colour availability • Prices subject to change without notice. • "Special" crating charges where applicable. Charges apply for Short Sheet production less than 36" • Fabrication charges where applicable.

Market Segments – Commercial



Available as a Fixed or Floating Clip System - hand seaming/mechanical seaming required

Classic/Comm	Colour Code	Gauge(s)		
		26	24	22
Antique Linen	8696	•	•	
Black	8262	•		•
Bone White	8273	•	•	•
Bright Red	8386	•		
Bright White	8783	•		
Buckskin	9202	•	•	
Burgundy	8873			
Bronze	8406	•	•	
Cambridge White	8695	•		•
Charcoal	8306	•	•	•
Coffee	8326	•	•	
Dark Brown	8229	•	•	•

Classic/Comm	Colour Code	Gauge(s)		
		26	24	22
Dark Red	8250			
Deep Water Green	8684			
Desert Gold	8404	•	•	
Galvalume	2	•	•	•
Galvanized	1	•		•
Gold	8276	•	•	
Heron Blue	8330	•	•	•
Hickory Moss	8368			
Int'l Orange	8234			
Ivory	8802			
Light Stone	8367			
Medium Green	8329			

Classic/Comm	Colour Code	Gauge(s)		
		26	24	22
Melcher's Green	8307	•	•	
Metro Brown	8228		•	
Pacific Turquoise	8258			
Regent Grey	8730	•	•	•
Royal Blue	8790	•		
Sapphire Blue	8261			
Slate Blue	8260	•	•	•
Stone Grey	8305	•		•
Tan	8315	•	•	
Tile Red	8269			
Whistler Green	8093			
White White	8317	•	•	•

Textured	Colour Code	Gauge(s)		
		26	24	22
Chocolate Brown	6034	•		
Chrome Green	6037	•		
Graphite Grey	6035	•		

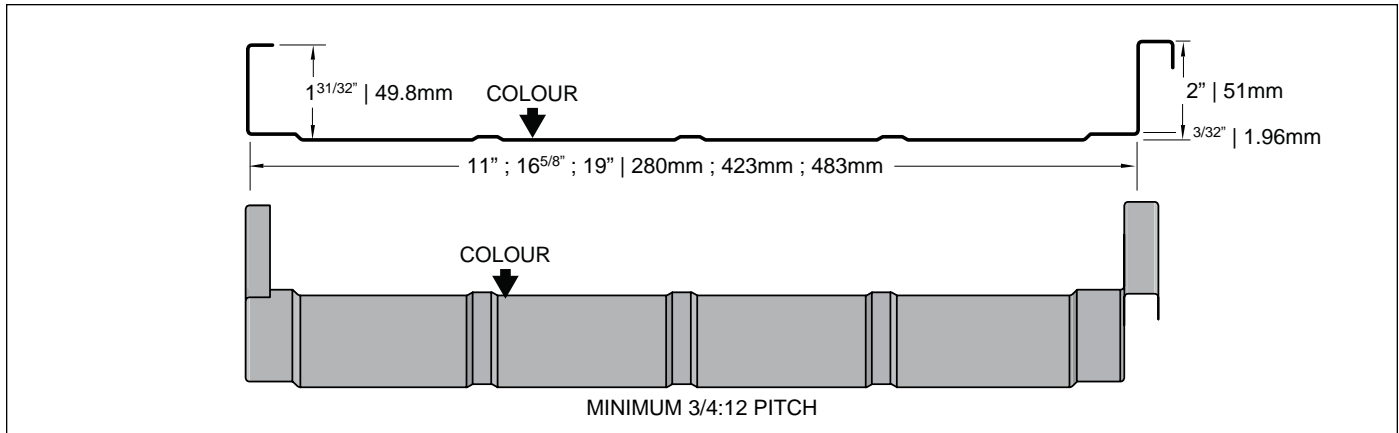
Textured	Colour Code	Gauge(s)		
		26	24	22
Jet Black	6039	•		
Oxide Red	6042	•		
Sepia Brown	6041	•		

Exotic	Colour Code	Gauge(s)		
		26	24	22
Copper Penny	8029	•	•	
Dark Zinc	1430	•	•	
Rustic Red	1426	•	•	
Silver Mist	8047	•	•	

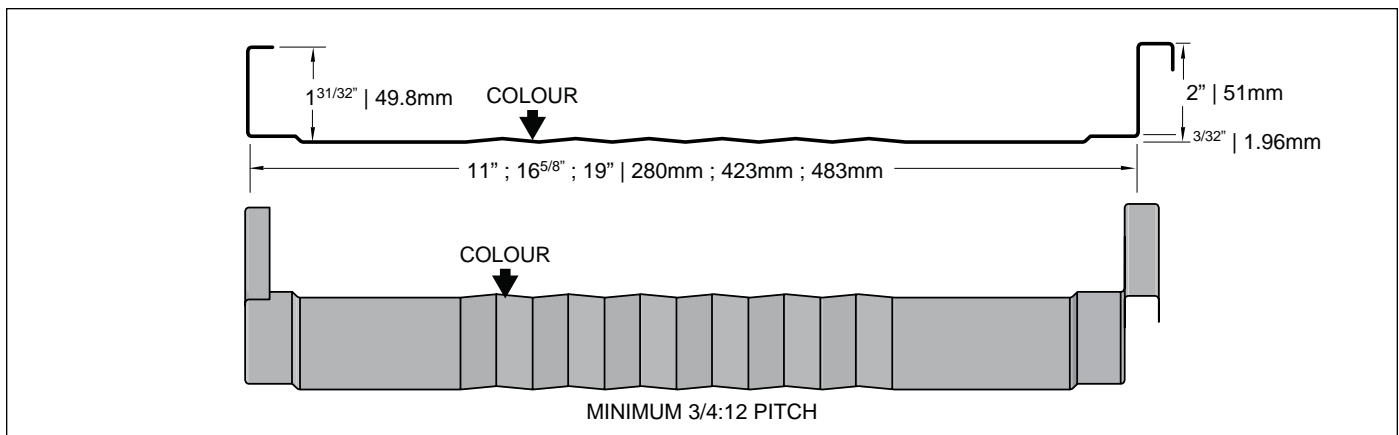
Product Description	Grade(s)	lbs./Lin. Ft.	ADDITIONAL INFORMATION
26 Gauge Plain Galvanized	33/50	Inquire per gauge/coverage	<p>PLEASE CALL FOR PRICING</p> <p>Please contact your nearest location for availability and minimum/maximum lengths.</p> <p>Extended lead time may be required.</p>
26 Gauge Plain Galvalume	33/50	Inquire per gauge/coverage	
26 Gauge Coloured	33/50	Inquire per gauge/coverage	
24 Gauge Plain Galvalume	33	Inquire per gauge/coverage	
24 Gauge Coloured	33	Inquire per gauge/coverage	
22 Gauge Galvanized	33	Inquire per gauge/coverage	
22 Gauge Plain Galvalume	33	Inquire per gauge/coverage	
22 Gauge Coloured	33	Inquire per gauge/coverage	

Check your local Westman branch for colour availability • Prices subject to change without notice. • "Special" crating charges where applicable. Charges apply for Short Sheet production less than 36" • Fabrication charges where applicable.

Market Segments - Commercial



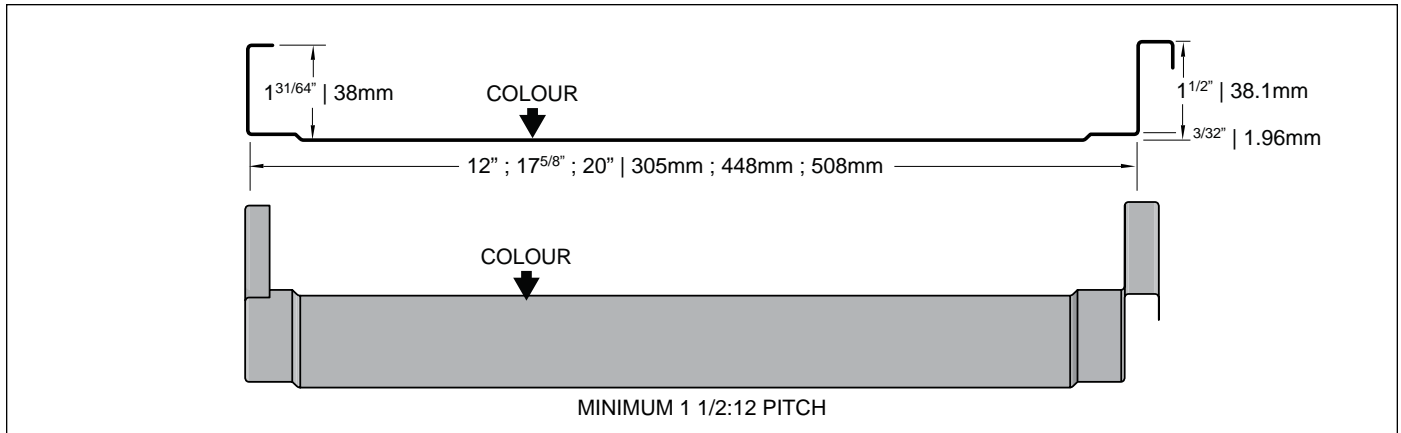
Available as a Fixed or Floating Clip System - hand seaming/mechanical seaming required | Pencil ribs not shown to scale



Available as a Fixed or Floating Clip System - hand seaming/mechanical seaming required | Striations not shown to scale

Check your local Westman branch for colour availability • Prices subject to change without notice. • "Special" crating charges where applicable.
Charges apply for Short Sheet production less than 36" • Fabrication charges where applicable.

Market Segments – Commercial



Available as a Fixed or Floating Clip System - hand seaming/mechanical seaming required

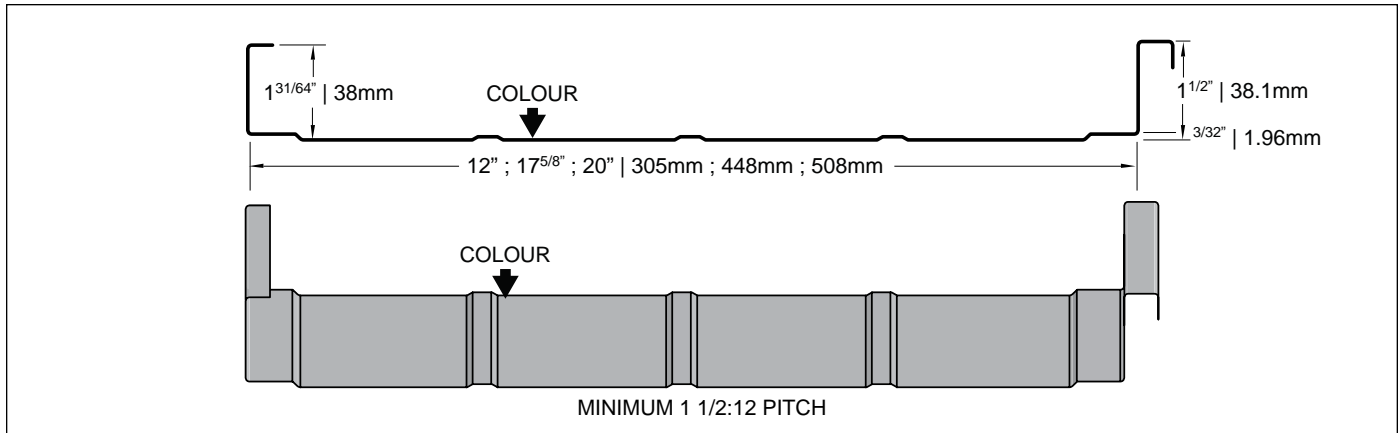
Classic/Comm	Colour Code	Gauge(s)			Classic/Comm	Colour Code	Gauge(s)			Classic/Comm	Colour Code	Gauge(s)		
		26	24	22			26	24	22			26	24	22
Antique Linen	8696	•	•	•	Dark Red	8250				Melcher's Green	8307	•	•	
Black	8262	•		•	Deep Water Green	8684				Metro Brown	8228			•
Bone White	8273	•	•	•	Desert Gold	8404	•	•		Pacific Turquoise	8258			
Bright Red	8386	•			Galvalume	2	•	•	•	Regent Grey	8730	•	•	•
Bright White	8783	•			Galvanized	1	•		•	Royal Blue	8790	•		
Buckskin	9202	•	•		Gold	8276	•	•		Sapphire Blue	8261			
Burgundy	8873				Heron Blue	8330	•	•	•	Slate Blue	8260	•	•	•
Bronze	8406	•	•		Hickory Moss	8368				Stone Grey	8305	•		•
Cambridge White	8695	•		•	Intl Orange	8234				Tan	8315	•	•	
Charcoal	8306	•	•	•	Ivory	8802				Tile Red	8269			
Coffee	8326	•	•		Light Stone	8367				Whistler Green	8093			
Dark Brown	8229	•	•	•	Medium Green	8329				White White	8317	•	•	•

Textured	Colour Code	Gauge(s)			Textured	Colour Code	Gauge(s)			Exotic	Colour Code	Gauge(s)		
		26	24	22			26	24	22			26	24	22
Chocolate Brown	6034	•			Jet Black	6039	•			Copper Penny	8029	•	•	
Chrome Green	6037	•			Oxide Red	6042	•			Dark Zinc	1430	•	•	
Graphite Grey	6035	•			Sepia Brown	6041	•			Rustic Red	1426	•	•	
										Silver Mist	8047	•	•	

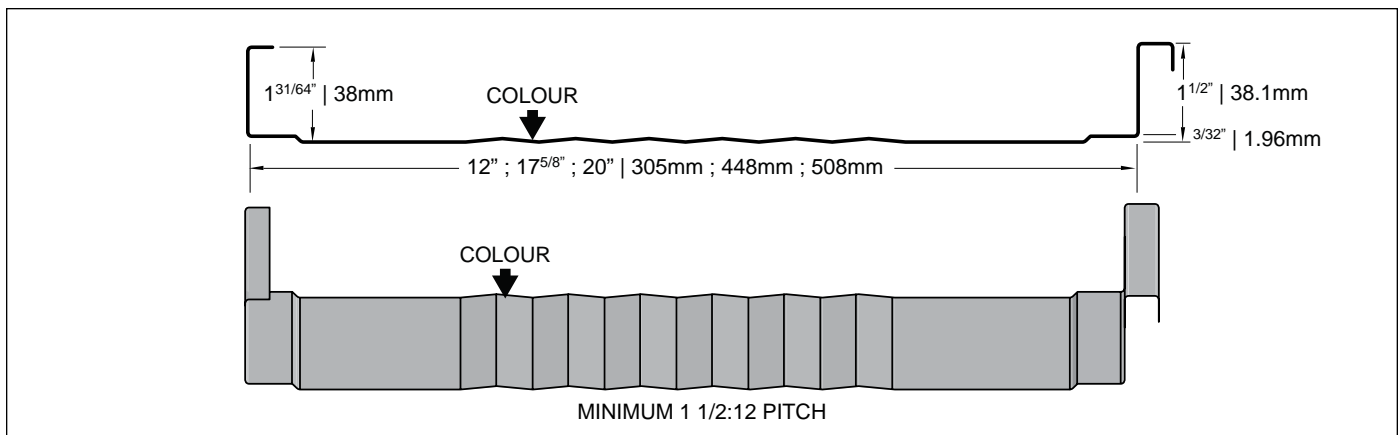
Product Description	Grade(s)	lbs./Lin. Ft.	ADDITIONAL INFORMATION
26 Gauge Plain Galvanized	33/50	Inquire per gauge/coverage	<p>PLEASE CALL FOR PRICING</p> <p>Please contact your nearest location for availability and minimum/maximum lengths.</p> <p>Extended lead time may be required.</p>
26 Gauge Plain Galvalume	33/50	Inquire per gauge/coverage	
26 Gauge Coloured	33/50	Inquire per gauge/coverage	
24 Gauge Plain Galvalume	33	Inquire per gauge/coverage	
24 Gauge Coloured	33	Inquire per gauge/coverage	
22 Gauge Galvanized	33	Inquire per gauge/coverage	
22 Gauge Plain Galvalume	33	Inquire per gauge/coverage	
22 Gauge Coloured	33	Inquire per gauge/coverage	

Check your local Westman branch for colour availability • Prices subject to change without notice. • "Special" crating charges where applicable. Charges apply for Short Sheet production less than 36" • Fabrication charges where applicable.

Market Segments - Commercial



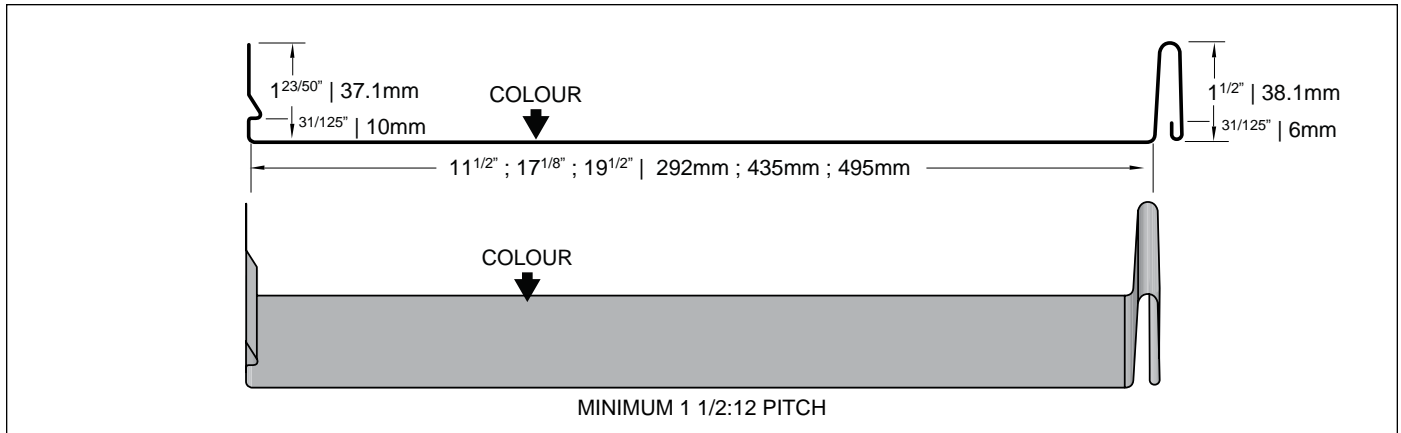
Available as a Fixed or Floating Clip System - hand seaming/mechanical seaming required | Pencil ribs not shown to scale



Available as a Fixed or Floating Clip System - hand seaming/mechanical seaming required | Striations not shown to scale

Check your local Westman branch for colour availability • Prices subject to change without notice. • "Special" crating charges where applicable.
Charges apply for Short Sheet production less than 36" • Fabrication charges where applicable.

Market Segments – Commercial



Available as a Fixed Clip System - no hand seaming/mechanical seaming required

Classic/Comm	Colour Code	Gauge(s)		
		26	24	22
Antique Linen	8696	•	•	•
Black	8262	•	•	•
Bone White	8273	•	•	•
Bright Red	8386	•	•	•
Bright White	8783	•	•	•
Buckskin	9202	•	•	•
Burgundy	8873	•	•	•
Bronze	8406	•	•	•
Cambridge White	8695	•	•	•
Charcoal	8306	•	•	•
Coffee	8326	•	•	•
Dark Brown	8229	•	•	•

Classic/Comm	Colour Code	Gauge(s)		
		26	24	22
Dark Red	8250			
Deep Water Green	8684			
Desert Gold	8404	•	•	
Galvalume	2	•	•	•
Galvanized	1	•	•	•
Gold	8276	•	•	
Heron Blue	8330	•	•	•
Hickory Moss	8368			
Int'l Orange	8234			
Ivory	8802			
Light Stone	8367			
Medium Green	8329			

Classic/Comm	Colour Code	Gauge(s)		
		26	24	22
Melcher's Green	8307	•	•	
Metro Brown	8228		•	
Pacific Turquoise	8258			
Regent Grey	8730	•	•	•
Royal Blue	8790	•		
Sapphire Blue	8261			
Slate Blue	8260	•	•	•
Stone Grey	8305	•		•
Tan	8315	•	•	
Tile Red	8269			
Whistler Green	8093			
White White	8317	•	•	•

Textured	Colour Code	Gauge(s)		
		26	24	22
Chocolate Brown	6034	•		
Chrome Green	6037	•		
Graphite Grey	6035	•		

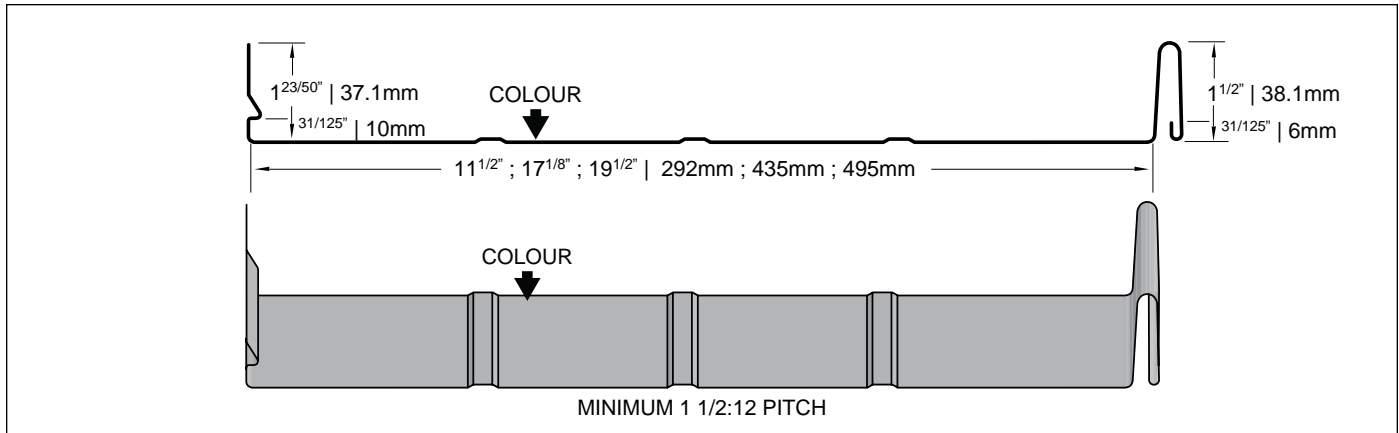
Textured	Colour Code	Gauge(s)		
		26	24	22
Jet Black	6039	•		
Oxide Red	6042	•		
Sepia Brown	6041	•		

Exotic	Colour Code	Gauge(s)		
		26	24	22
Copper Penny	8029	•	•	
Dark Zinc	1430	•	•	
Rustic Red	1426	•	•	
Silver Mist	8047	•	•	

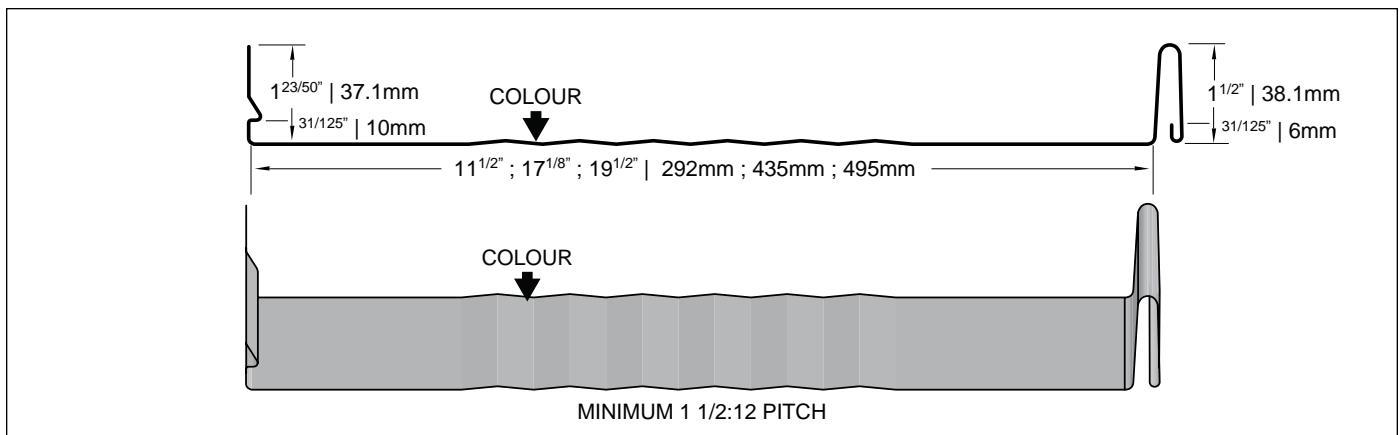
Product Description	Grade(s)	lbs./Lin. Ft.	ADDITIONAL INFORMATION
26 Gauge Plain Galvanized	33/50	Inquire per gauge/coverage	<p>PLEASE CALL FOR PRICING</p> <p>Please contact your nearest location for availability and minimum/maximum lengths.</p> <p>Extended lead time may be required.</p>
26 Gauge Plain Galvalume	33/50	Inquire per gauge/coverage	
26 Gauge Coloured	33/50	Inquire per gauge/coverage	
24 Gauge Plain Galvalume	33	Inquire per gauge/coverage	
24 Gauge Coloured	33	Inquire per gauge/coverage	
22 Gauge Galvanized	33	Inquire per gauge/coverage	
22 Gauge Plain Galvalume	33	Inquire per gauge/coverage	
22 Gauge Coloured	33	Inquire per gauge/coverage	

Check your local Westman branch for colour availability • Prices subject to change without notice. • "Special" crating charges where applicable. Charges apply for Short Sheet production less than 36" • Fabrication charges where applicable.

Market Segments - Commercial



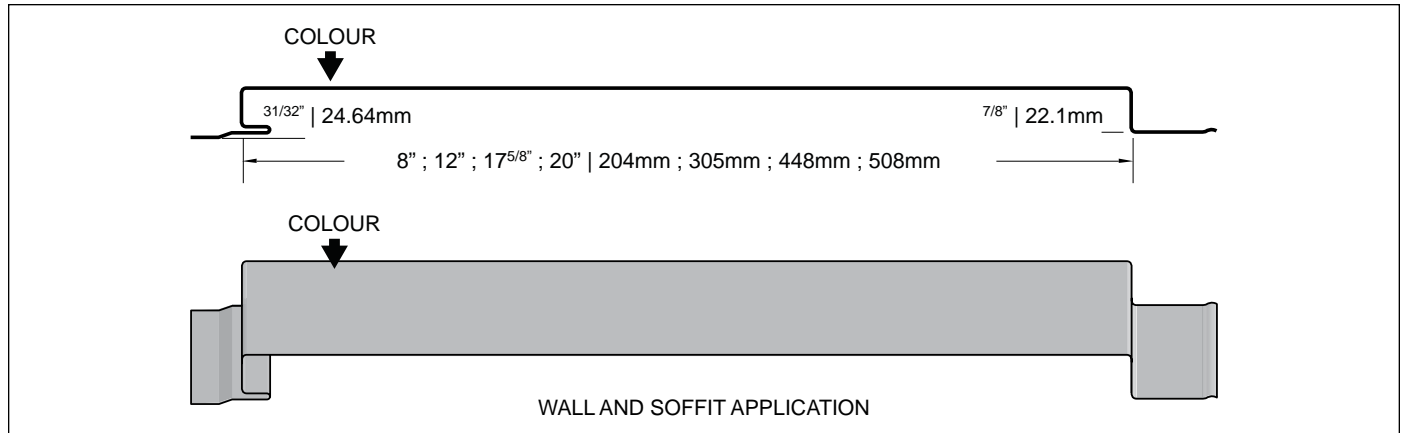
Available as a Fixed Clip System - no hand seaming/mechanical seaming required | Pencil ribs not shown to scale



Available as a Fixed Clip System - no hand seaming/mechanical seaming required | Pencil ribs not shown to scale

Check your local Westman branch for colour availability • Prices subject to change without notice. • "Special" crating charges where applicable.
Charges apply for Short Sheet production less than 36" • Fabrication charges where applicable.

Market Segments – Residential | Commercial



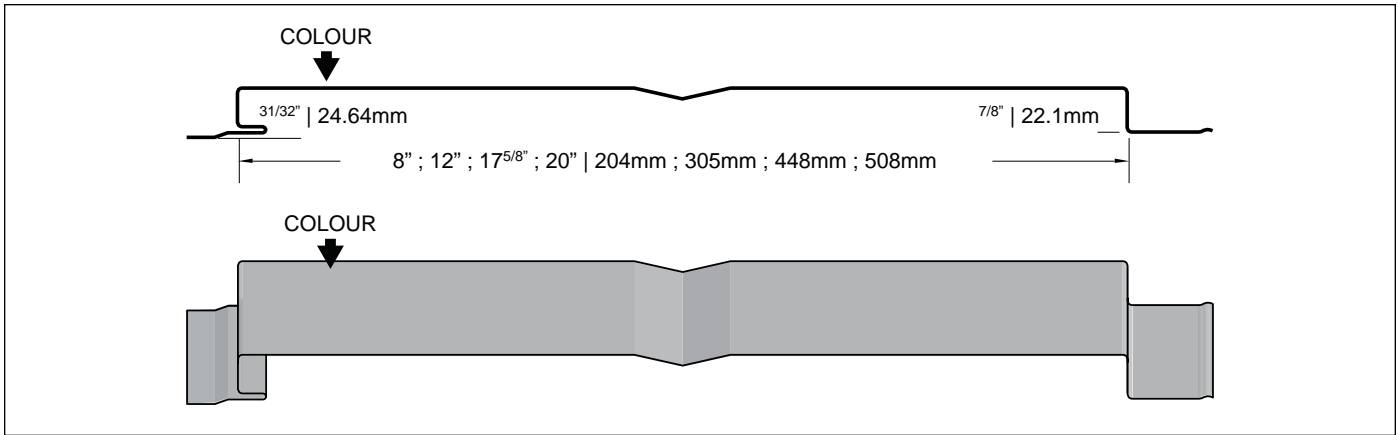
Classic/Comm	Colour Code	Gauge(s)			Classic/Comm	Colour Code	Gauge(s)			Classic/Comm	Colour Code	Gauge(s)		
		24	22				24	22				24	22	
Antique Linen	8696	•			Dark Red	8250				Melcher's Green	8307	•		
Black	8262	•	•		Deep Water Green	8684				Metro Brown	8228	•		
Bone White	8273	•	•		Desert Gold	8404	•			Pacific Turquoise	8258			
Bright Red	8386				Galvalume	2	•	•		Regent Grey	8730	•	•	
Bright White	8783				Galvanized	1		•		Royal Blue	8790			
Buckskin	9202	•			Gold	8276	•			Sapphire Blue	8261			
Burgundy	8873				Heron Blue	8330	•	•		Slate Blue	8260	•	•	
Bronze	8406	•			Hickory Moss	8368				Stone Grey	8305		•	
Cambridge White	8695		•		Int'l Orange	8234				Tan	8315	•		
Charcoal	8306	•	•		Ivory	8802				Tile Red	8269			
Coffee	8326	•			Light Stone	8367				Whistler Green	8093			
Dark Brown	8229	•	•		Medium Green	8329				White White	8317	•	•	

Textured	Colour Code	Gauge(s)			Textured	Colour Code	Gauge(s)			Exotic	Colour Code	Gauge(s)		
		24	22				24	22				24	22	
Chocolate Brown	6034				Jet Black	6039				Copper Penny	8029	•		
Chrome Green	6037				Oxide Red	6042				Dark Zinc	1430	•		
Graphite Grey	6035				Sepia Brown	6041				Rustic Red	1426	•		
										Silver Mist	8047	•		

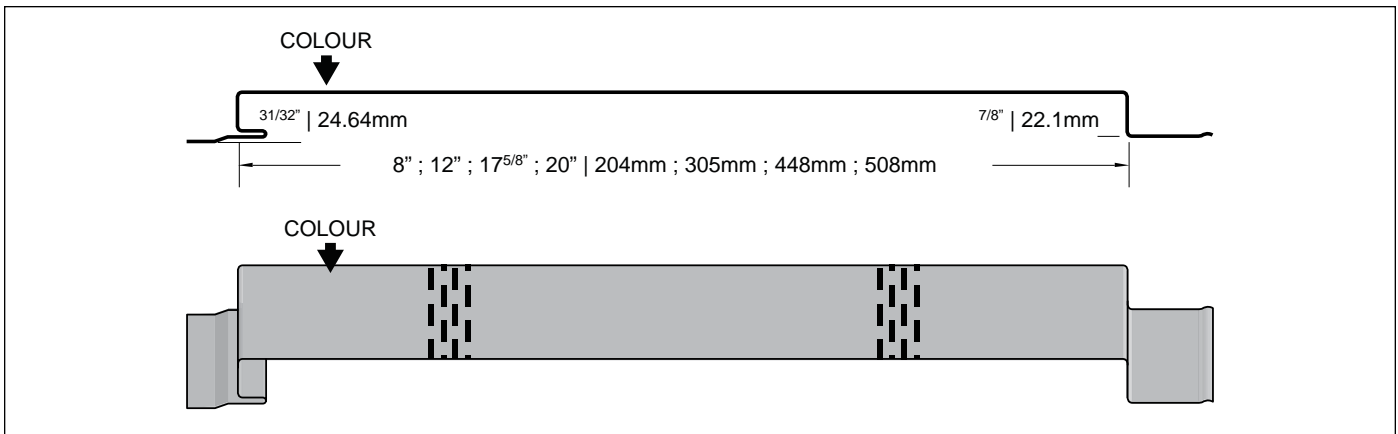
Product Description	Grade(s)	lbs./Lin. Ft.	Additional Information
24 Gauge Plain Galvalume	33	Inquire per gauge/coverage	<p>PLEASE CALL FOR PRICING Please contact your nearest location for availability and minimum/maximum lengths. Extended lead time may be required.</p>
24 Gauge Coloured	33	Inquire per gauge/coverage	
22 Gauge Plain Galvanized	33	Inquire per gauge/coverage	
22 Gauge Plain Galvalume	33	Inquire per gauge/coverage	
22 Gauge Coloured	33	Inquire per gauge/coverage	

Check your local Westman branch for colour availability • Prices subject to change without notice. • “Special” crating charges where applicable. Charges apply for Short Sheet production less than 36” • Fabrication charges where applicable.

Market Segments - Residential | Commercial



V Groove not shown to scale



Perforations not shown to scale

Check your local Westman branch for colour availability • Prices subject to change without notice. • "Special" crating charges where applicable. Charges apply for Short Sheet production less than 36" • Fabrication charges where applicable.

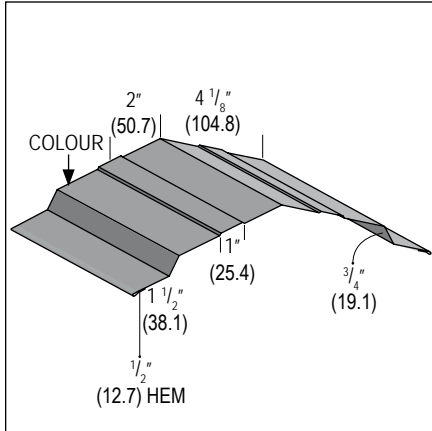
Colour Charts



Standard Flashing



Product Description
#578 Ridge Cap



Ordering Colour Flashing

When ordering the colour variant of any WESTMAN STEEL flashing product, simply place the Colour Code before the SKU number code.

Example:

To order #578 Ridge/Hip Cap in Galvanized the full SKU would read: 1578

To order #578 Ridge/Hip Cap in Galvalume the full SKU would read: 2578

To order #578 Ridge/Hip Cap in Dark Red the full SKU would read: 8250578

	SKU	Weight	Price
Galvanized	1578	7.5	
Galvalume	2578	7.2	
Colour	578	7.2	

Classic Colours	Colour Code
Black	8262
Bone White	8273
Bright Red	386
Bright White	4783
Buckskin	9202
Burgundy	8011
Charcoal	8306
Coffee	8326
Dark Red	8250
Deep Water Green	8684

Classic Colours	Colour Code
Gold	8276
Heron Blue	330
Hickory Moss	9368
Int'l Orange	8234
Ivory	8802
Light Stone	9367
Medium Green	8329
Melchers Green	8307
Metro Brown	8228
Pacific Turquoise	9258

Classic Colours	Colour Code
Regent Grey	8730
Royal Blue	8790
Sapphire Blue	8261
Slate Blue	8260
Stone Grey	8305
Tan	8315
Tile Red	8259
Whistler Green	8093
White White	8317

Textured Colours	Colour Code
Chocolate Brown	6034
Chrome Green	6037
Graphite Grey	6035

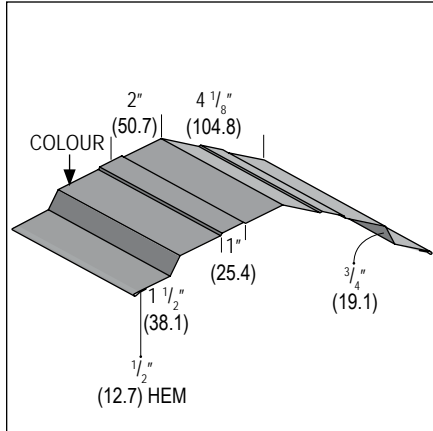
Textured Colours	Colour Code
Jet Black	6039
Oxide Red	6042
Sepia Brown	6041

Exotic Colours	Colour Code
Copper Penny	8029
Dark Zinc	1430
Rustic Red	1426
Silver Mist	8047

Add 25% for 26 gauge. • Check your local Westman branch for upcharge on Textured and Exotic colours. • Check your local Westman branch for colour availability. "Special" crating charges where applicable. • Fabrication charges where applicable. • Prices subject to change without notice.

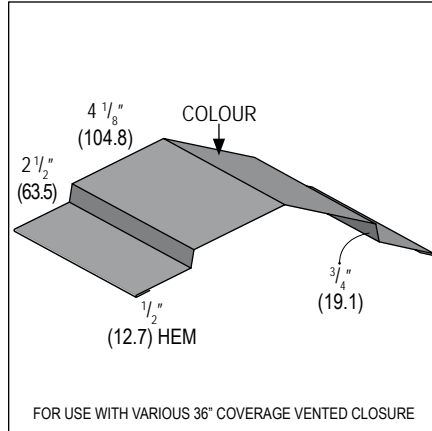


Product Description #578 Ridge Cap



	SKU	Weight	Price
Galvanized	1578	7.5	
Galvalume	2578	7.2	
Colour	578	7.2	

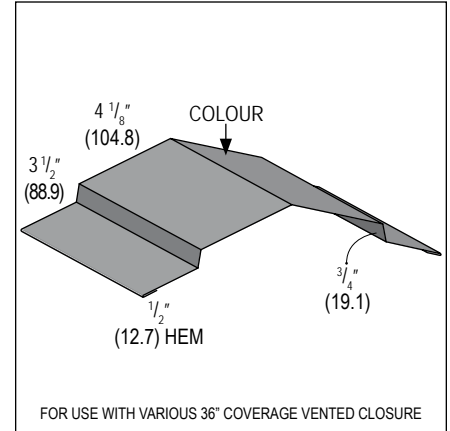
Product Description #579 Ridge Cap



FOR USE WITH VARIOUS 36° COVERAGE VENTED CLOSURE

	SKU	Weight	Price
Galvanized	1579	8.5	
Galvalume	2579	8.2	
Colour	579	8.2	

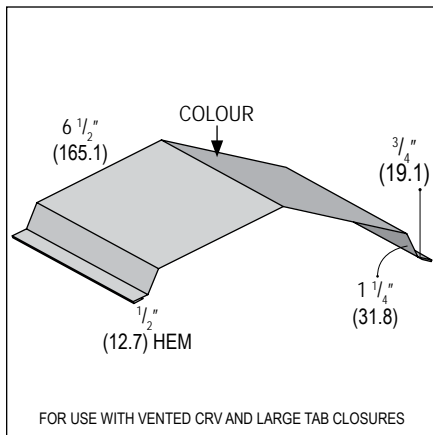
Product Description #880 Ridge Cap



FOR USE WITH VARIOUS 36° COVERAGE VENTED CLOSURE

	SKU	Weight	Price
Galvanized	1580	9.5	
Galvalume	2580	9.2	
Colour	580	9.2	

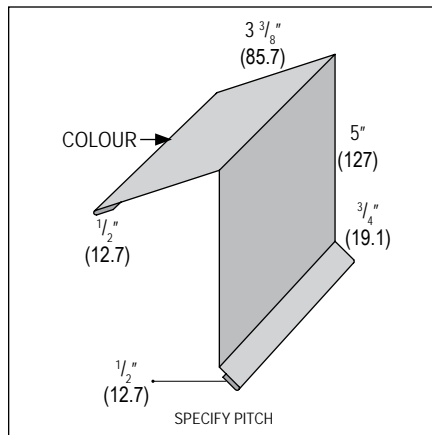
Product Description #683 Ridge Cap



FOR USE WITH VENTED CRV AND LARGE TAB CLOSURES

	SKU	Weight	Price
Galvanized	1683	9.6	
Galvalume	2683	9.2	
Colour	683	9.2	

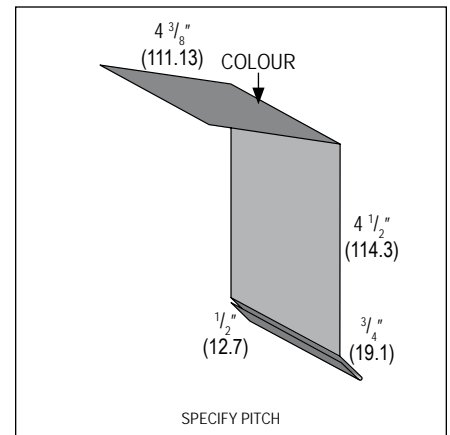
Product Description #723 Peak Cap



SPECIFY PITCH

	SKU	Weight	Price
Galvanized	1723	5.4	
Galvalume	2723	5.1	
Colour	723	5.1	

Product Description #609 Eave



SPECIFY PITCH

	SKU	Weight	Price
Galvanized	1609	4.8	
Galvalume	2609	4.6	
Colour	609	4.6	

Add 25% for 26 gauge. • Check your local Westman branch for upcharge on Textured and Exotic colours. • Check your local Westman branch for colour availability. "Special" crating charges where applicable. • Fabrication charges where applicable. • Prices subject to change without notice.

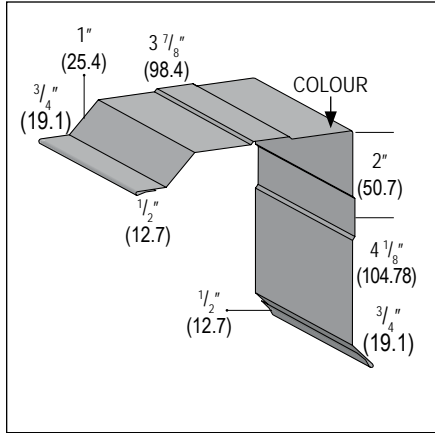


CAMBRIDGE, ON (855) 620-2720 | BRANDON/WINNIPEG, MB (800) 661-2823
SWIFT CURRENT/REGINA/SASKATOON, SK (800) 667-7468
AIRDRIE/EDMONTON, AB (800) 661-2826 | LANGLEY, BC (888) 937-8626



Product Description

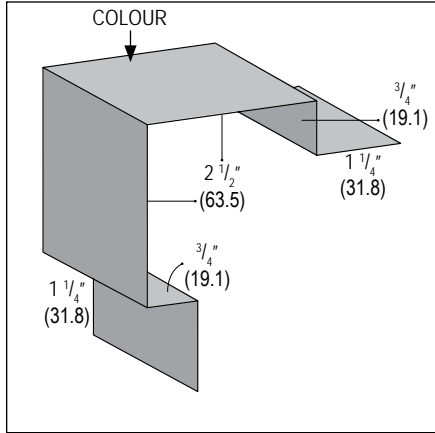
#421 Gable



	SKU	Weight	Price
Galvanized	1421	6.6	
Galvalume	2421	6.3	
Colour	421	6.3	

Product Description

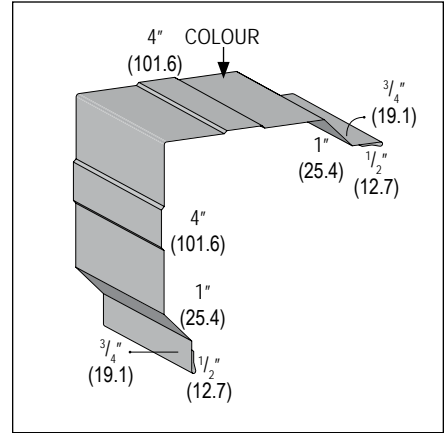
#417 Outside Corner Post



	SKU	Weight	Price
Galvanized	1417	4.8	
Galvalume	2417	4.6	
Colour	417	4.6	

Product Description

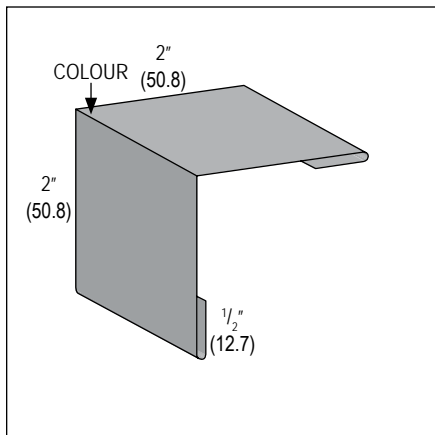
#425 Corner Cap



	SKU	Weight	Price
Galvanized	1425	6.8	
Galvalume	2425	6.5	
Colour	425	6.5	

Product Description

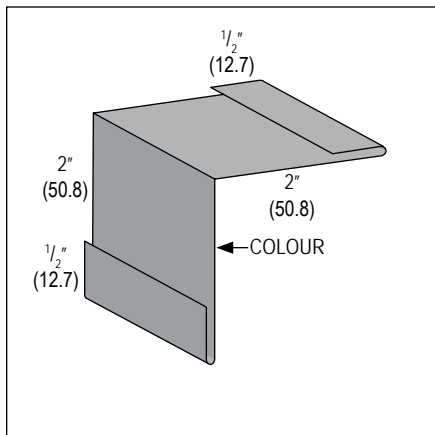
#496 Outside Corner



	SKU	Weight	Price
Galvanized	1496	2.8	
Galvalume	2496	2.7	
Colour	496	2.7	

Product Description

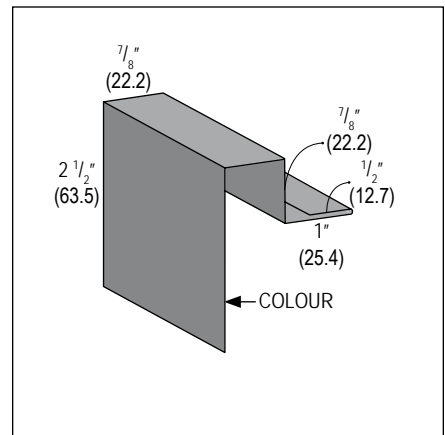
#498 Inside Corner



	SKU	Weight	Price
Galvanized	1498	2.8	
Galvalume	2498	2.7	
Colour	498	2.7	

Product Description

#480 Inside Corner



	SKU	Weight	Price
Galvanized	1480	3.2	
Galvalume	2480	3.0	
Colour	480	3.0	

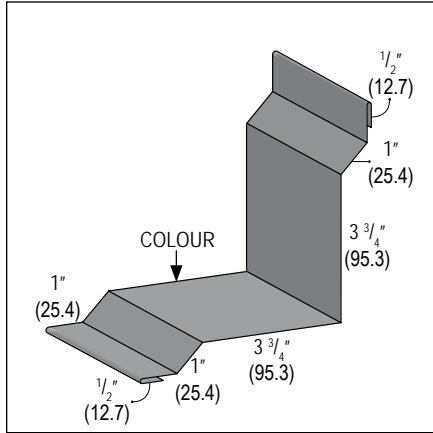
Add 25% for 26 gauge. • Check your local Westman branch for upcharge on Textured and Exotic colours. • Check your local Westman branch for colour availability. "Special" crating charges where applicable. • Fabrication charges where applicable. • Prices subject to change without notice.



CAMBRIDGE, ON (855) 620-2720 | BRANDON/WINNIPEG, MB (800) 661-2823
SWIFT CURRENT/REGINA/SASKATOON, SK (800) 667-7468
AIRDRIE/EDMONTON, AB (800) 661-2826 | LANGLEY, BC (888) 937-8626

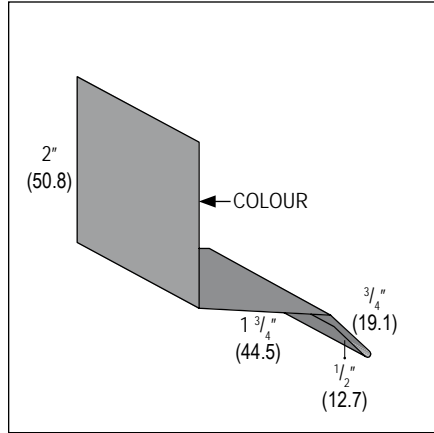


Product Description #823 Uni Inside Corner



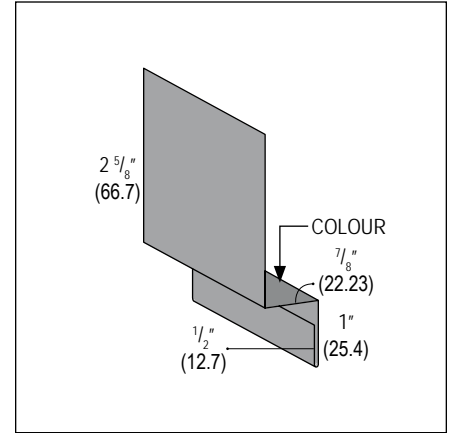
	SKU	Weight	Price
Galvanized	1823	6.6	
Galvalume	2823	6.3	
Colour	823	6.3	

Product Description #113 Drip



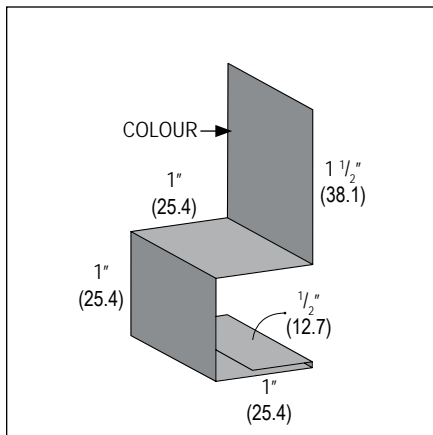
	SKU	Weight	Price
Galvanized	1113	2.7	
Galvalume	2113	2.5	
Colour	113	2.5	

Product Description #121 Base



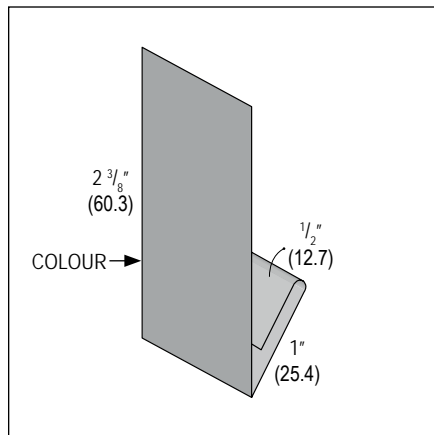
	SKU	Weight	Price
Galvanized	1121	2.7	
Galvalume	2121	2.5	
Colour	121	2.5	

Product Description #960 Box Base



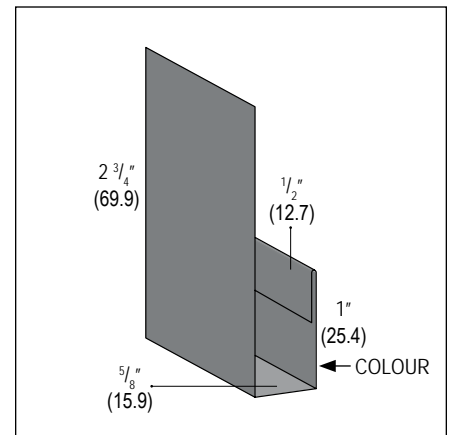
	SKU	Weight	Price
Galvanized	1960	2.8	
Galvalume	2960	2.6	
Colour	960	2.6	

Product Description #834 Sill



	SKU	Weight	Price
Galvanized	1834	2.1	
Galvalume	2834	2.0	
Colour	834	2.0	

Product Description #250 J Trim



	SKU	Weight	Price
Galvanized	1250	2.7	
Galvalume	2250	2.5	
Colour	250	2.5	

Add 25% for 26 gauge. • Check your local Westman branch for upcharge on Textured and Exotic colours. • Check your local Westman branch for colour availability. "Special" crating charges where applicable. • Fabrication charges where applicable. • Prices subject to change without notice.

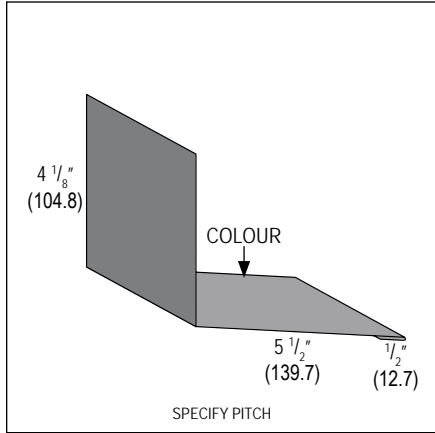


CAMBRIDGE, ON (855) 620-2720 | BRANDON/WINNIPEG, MB (800) 661-2823
SWIFT CURRENT/REGINA/SASKATOON, SK (800) 667-7468
AIRDRIE/EDMONTON, AB (800) 661-2826 | LANGLEY, BC (888) 937-8626



Product Description

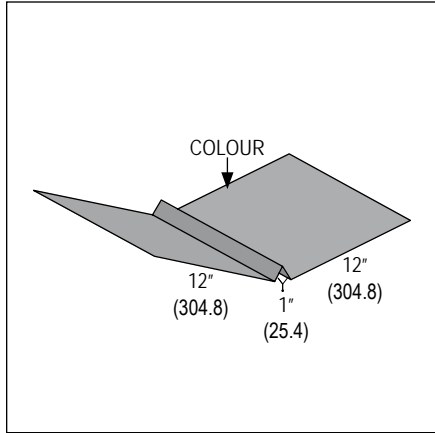
#603 Endwall



	SKU	Weight	Price
Galvanized	1603	5.4	
Galvalume	2603	5.2	
Colour	603	5.2	

Product Description

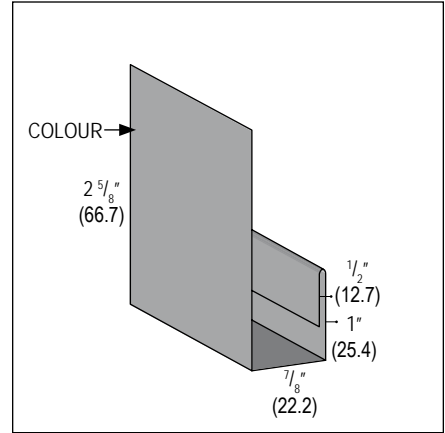
#588 W Valley



	SKU	Weight	Price
Galvanized	1588	13.8	
Galvalume	2588	13.2	
Colour	588	13.2	

Product Description

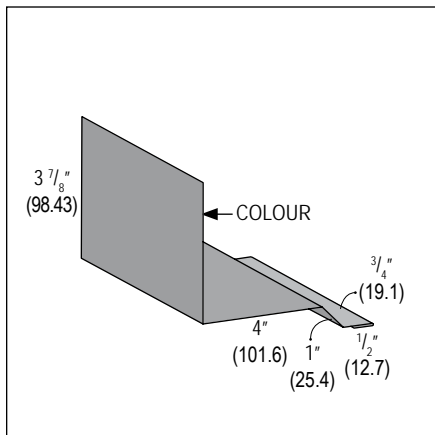
#252 J Trim



	SKU	Weight	Price
Galvanized	1252	2.7	
Galvalume	2252	2.5	
Colour	252	2.5	

Product Description

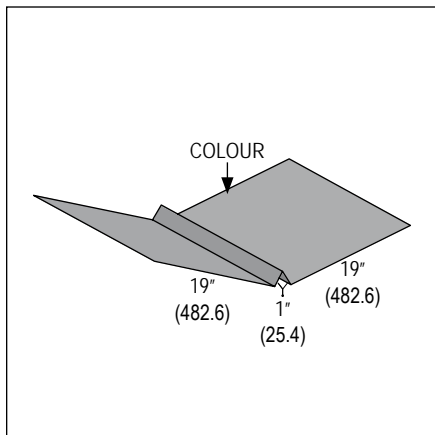
#605 Sidewall



	SKU	Weight	Price
Galvanized	1605	5.4	
Galvalume	2605	5.2	
Colour	605	5.2	

Product Description

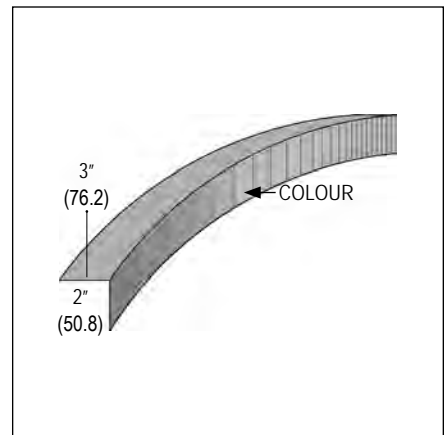
#589 W Valley



	SKU	Weight	Price
Galvanized	1589	21.3	
Galvalume	2589	20.3	
Colour	589	20.3	

Product Description

#895 Arch Rib



	SKU	Weight	Price
Galvanized	1895	2.1	
Galvalume	2895	2.0	
Colour	895	2.0	

Add 25% for 26 gauge. • Check your local Westman branch for upcharge on Textured and Exotic colours. • Check your local Westman branch for colour availability. "Special" crating charges where applicable. • Fabrication charges where applicable. • Prices subject to change without notice.

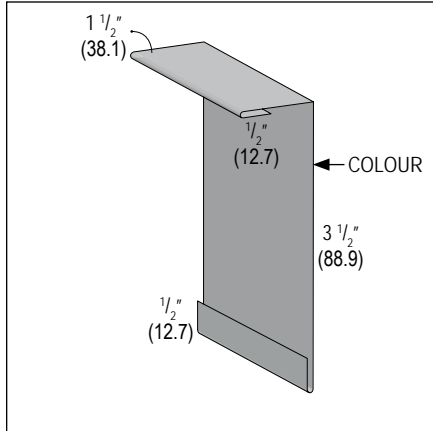


CAMBRIDGE, ON (855) 620-2720 | BRANDON/WINNIPEG, MB (800) 661-2823
SWIFT CURRENT/REGINA/SASKATOON, SK (800) 667-7468
AIRDRIE/EDMONTON, AB (800) 661-2826 | LANGLEY, BC (888) 937-8626



Product Description

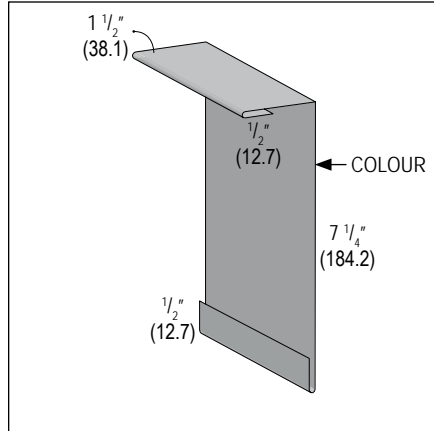
#856 Door Post



	SKU	Weight	Price
Galvanized	1856	3.2	
Galvalume	2856	3.0	
Colour	856	3.0	

Product Description

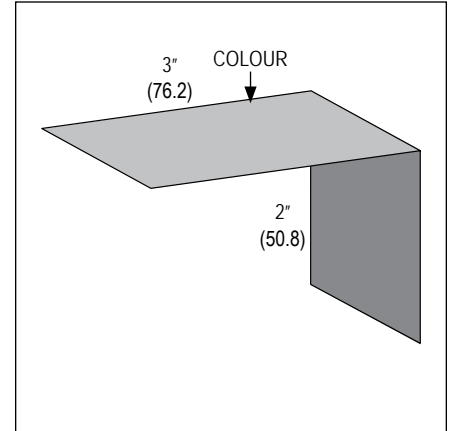
#858 Door Post



	SKU	Weight	Price
Galvanized	1858	5.2	
Galvalume	2858	5.0	
Colour	858	5.0	

Product Description

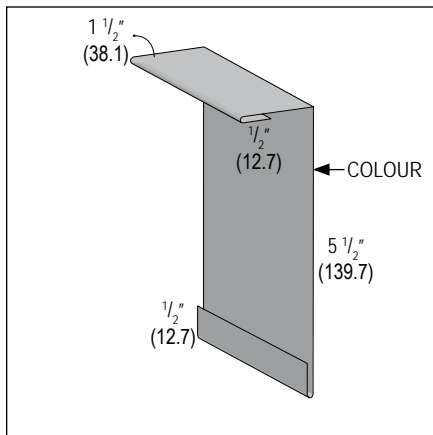
#896 Straight Arch Rib



	SKU	Weight	Price
Galvanized	1896	2.1	
Galvalume	2896	2.0	
Colour	896	2.0	

Product Description

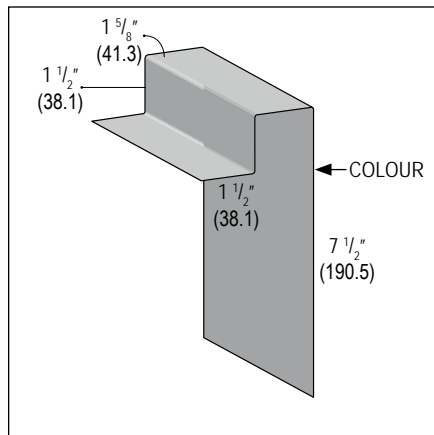
#857 Door Post



	SKU	Weight	Price
Galvanized	1857	4.3	
Galvalume	2857	4.1	
Colour	857	4.1	

Product Description

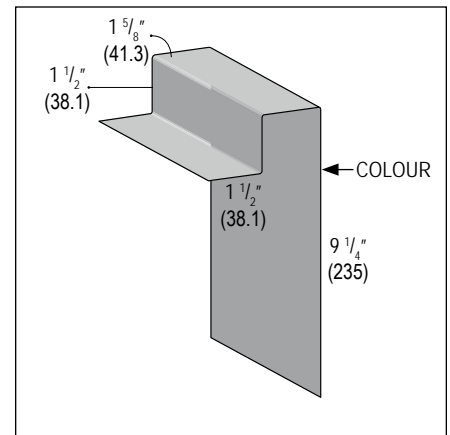
#650 Door Post



	SKU	Weight	Price
Galvanized	1650	6.4	
Galvalume	2650	6.2	
Colour	650	6.2	

Product Description

#651 Door Post



	SKU	Weight	Price
Galvanized	1651	7.2	
Galvalume	2651	6.8	
Colour	651	6.8	

Add 25% for 26 gauge. • Check your local Westman branch for upcharge on Textured and Exotic colours. • Check your local Westman branch for colour availability. "Special" crating charges where applicable. • Fabrication charges where applicable. • Prices subject to change without notice.

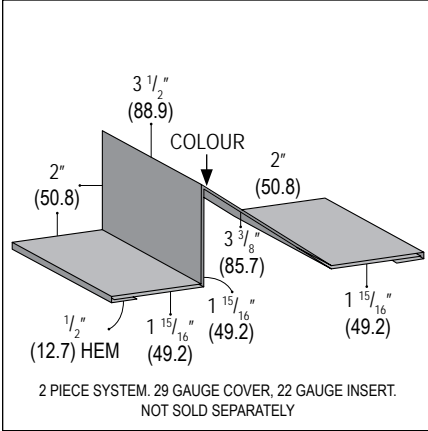


CAMBRIDGE, ON (855) 620-2720 | BRANDON/WINNIPEG, MB (800) 661-2823
SWIFT CURRENT/REGINA/SASKATOON, SK (800) 667-7468
AIRDRIE/EDMONTON, AB (800) 661-2826 | LANGLEY, BC (888) 937-8626



Product Description

#450 Custom Roof Trim 2 Piece



	SKU	Weight	Price
Galvanized	1450	18.5	
Galvalume	2450	18.3	
Colour	450	18.3	

	SKU	Weight	Price

	SKU	Weight	Price

	SKU	Weight	Price

	SKU	Weight	Price

	SKU	Weight	Price

Add 25% for 26 gauge. • Check your local Westman branch for upcharge on Textured and Exotic colours. • Check your local Westman branch for colour availability. "Special" crating charges where applicable. • Fabrication charges where applicable. • Prices subject to change without notice.

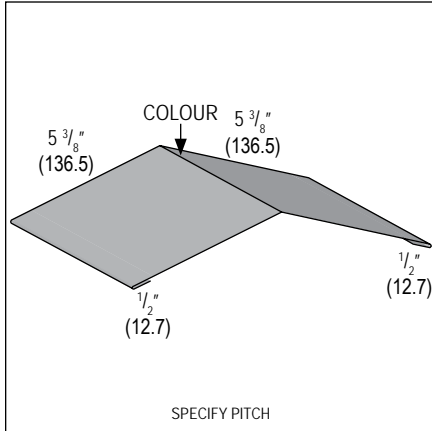


CAMBRIDGE, ON (855) 620-2720 | BRANDON/WINNIPEG, MB (800) 661-2823
SWIFT CURRENT/REGINA/SASKATOON, SK (800) 667-7468
AIRDRIE/EDMONTON, AB (800) 661-2826 | LANGLEY, BC (888) 937-8626

Residential Flashing



Product Description
#584 Ridge/Hip Cap



	SKU	Weight	Price
Galvanized	1584	6.3	
Galvalume	2584	6.0	
Colour	584	6.0	

Ordering Colour Flashing

When ordering the colour variant of any WESTMAN STEEL flashing product, simply place the Colour Code before the SKU number code.

Example:

To order #584 Ridge/Hip Cap in Galvanized the full SKU would read: 1584

To order #584 Ridge/Hip Cap in Galvalume the full SKU would read: 2584

To order #584 Ridge/Hip Cap in Dark Red the full SKU would read: 8250584

Classic Colours	Colour Code
Black	8262
Bone White	8273
Bright Red	386
Bright White	4783
Buckskin	9202
Burgundy	8011
Charcoal	8306
Coffee	8326
Dark Red	8250
Deep Water Green	8684

Classic Colours	Colour Code
Gold	8276
Heron Blue	330
Hickory Moss	9368
Int'l Orange	8234
Ivory	8802
Light Stone	9367
Medium Green	8329
Melchers Green	8307
Metro Brown	8228
Pacific Turquoise	9258

Classic Colours	Colour Code
Regent Grey	8730
Royal Blue	8790
Sapphire Blue	8261
Slate Blue	8260
Stone Grey	8305
Tan	8315
Tile Red	8259
Whistler Green	8093
White White	8317

Textured Colours	Colour Code
Chocolate Brown	6034
Chrome Green	6037
Graphite Grey	6035

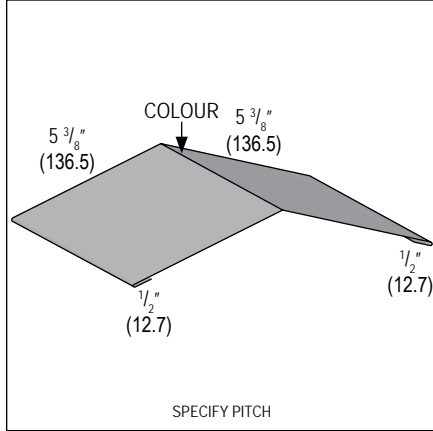
Textured Colours	Colour Code
Jet Black	6039
Oxide Red	6042
Sepia Brown	6041

Exotic Colours	Colour Code
Copper Penny	8029
Dark Zinc	1430
Rustic Red	1426
Silver Mist	8047

Add 25% for 26 gauge. • Check your local Westman branch for upcharge on Textured and Exotic colours. • Check your local Westman branch for colour availability. "Special" crating charges where applicable. • Fabrication charges where applicable. • Prices subject to change without notice.

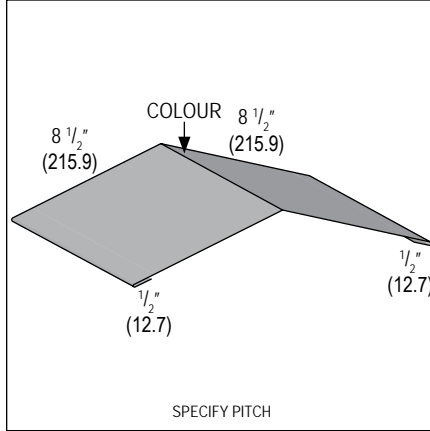


Product Description #584 Ridge/Hip Cap



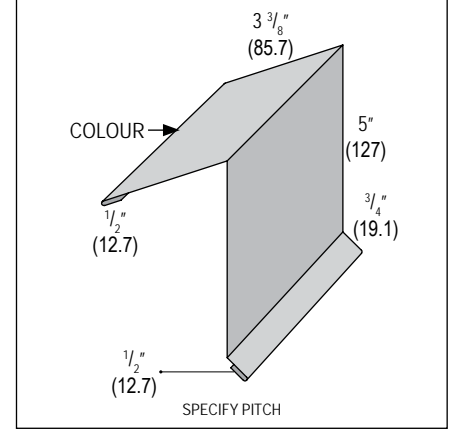
	SKU	Weight	Price
Galvanized	1584	6.3	
Galvalume	2584	6.0	
Colour	584	6.0	

Product Description #580 Ridge Cap



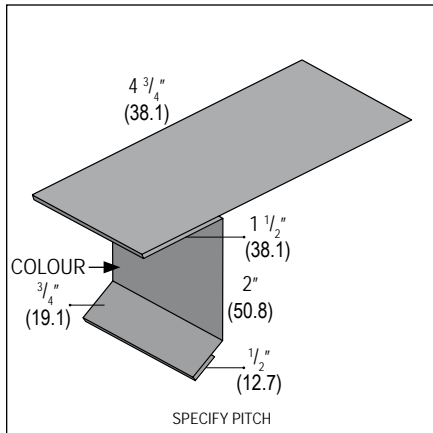
	SKU	Weight	Price
Galvanized	1580	9.6	
Galvalume	2580	9.2	
Colour	580	9.2	

Product Description #723 Peak Cap



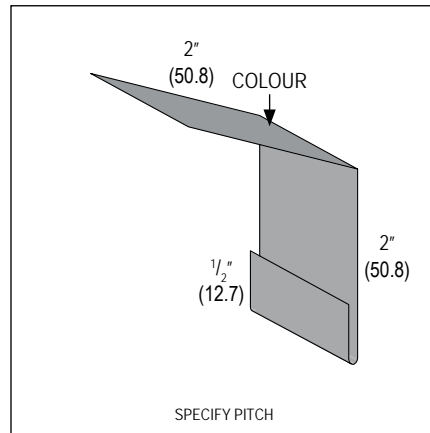
	SKU	Weight	Price
Galvanized	1723	5.4	
Galvalume	2723	5.1	
Colour	723	5.1	

Product Description #934 Concealed Eave Starter



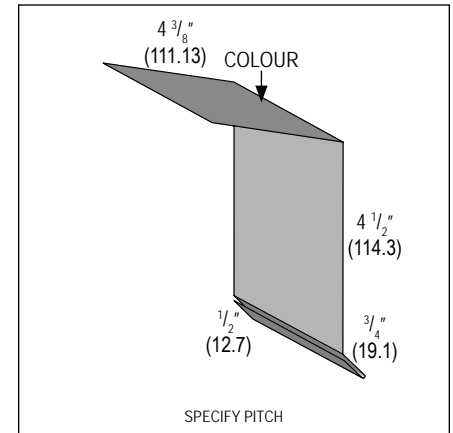
	SKU	Weight	Price
Galvanized	1934	5.8	
Galvalume	2934	5.6	
Colour	934	5.6	

Product Description #608 Residential Eave



	SKU	Weight	Price
Galvanized	1608	2.5	
Galvalume	2608	2.4	
Colour	608	2.4	

Product Description #609 Eave



	SKU	Weight	Price
Galvanized	1609	4.8	
Galvalume	2609	4.6	
Colour	609	4.6	

Add 25% for 26 gauge. • Check your local Westman branch for upcharge on Textured and Exotic colours. • Check your local Westman branch for colour availability. "Special" crating charges where applicable. • Fabrication charges where applicable. • Prices subject to change without notice.

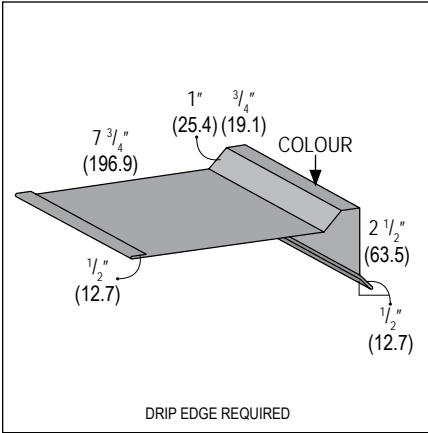


CAMBRIDGE, ON (855) 620-2720 | BRANDON/WINNIPEG, MB (800) 661-2823
SWIFT CURRENT/REGINA/SASKATOON, SK (800) 667-7468
AIRDRIE/EDMONTON, AB (800) 661-2826 | LANGLEY, BC (888) 937-8626



Product Description

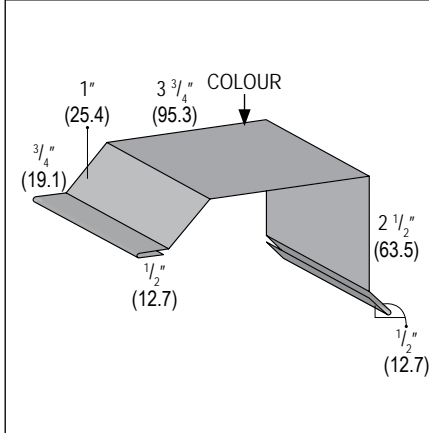
#135 Prow Gable



	SKU	Weight	Price
Galvanized	1135	7.1	
Galvalume	2135	6.8	
Colour	135	6.8	

Product Description

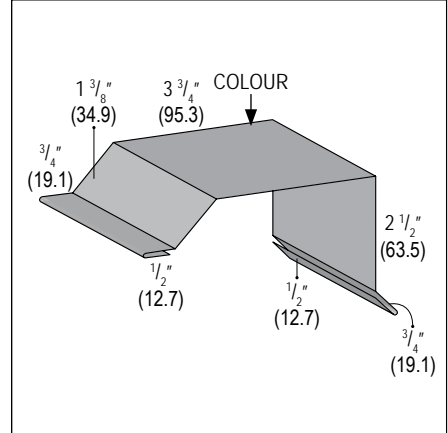
#426 Residential Gable



	SKU	Weight	Price
Galvanized	1426	5.5	
Galvalume	2426	5.3	
Colour	426	5.3	

Product Description

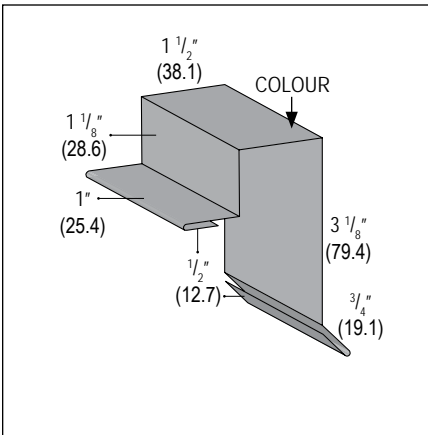
#426S Gable



	SKU	Weight	Price
Galvanized	1426S	5.5	
Galvalume-	2426S	5.3	
Colour	426S	5.3	

Product Description

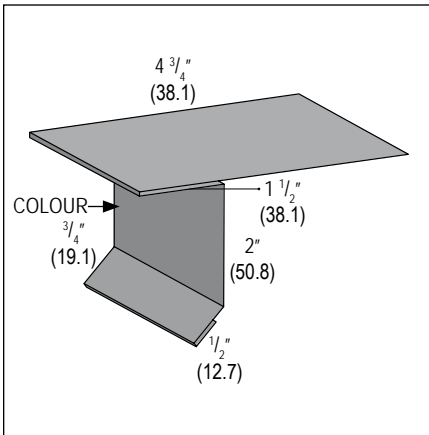
#845 Gable



	SKU	Weight	Price
Galvanized	1845	4.7	
Galvalume	2845	4.5	
Colour	845	4.5	

Product Description

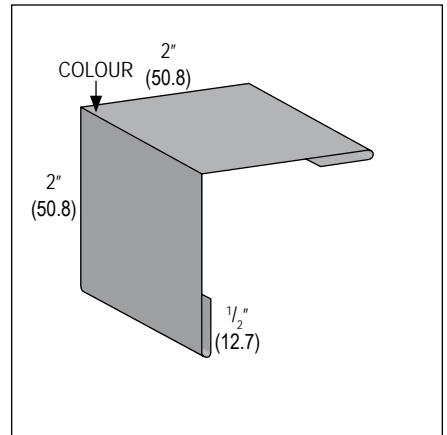
#935 Concealed Gable Starter



	SKU	Weight	Price
Galvanized	1935	5.8	
Galvalume	2935	5.6	
Colour	935	5.6	

Product Description

#496 Outside Corner



	SKU	Weight	Price
Galvanized	1496	2.8	
Galvalume	2496	2.7	
Colour	496	2.7	

Add 25% for 26 gauge. • Check your local Westman branch for upcharge on Textured and Exotic colours. • Check your local Westman branch for colour availability. "Special" crating charges where applicable. • Fabrication charges where applicable. • Prices subject to change without notice.

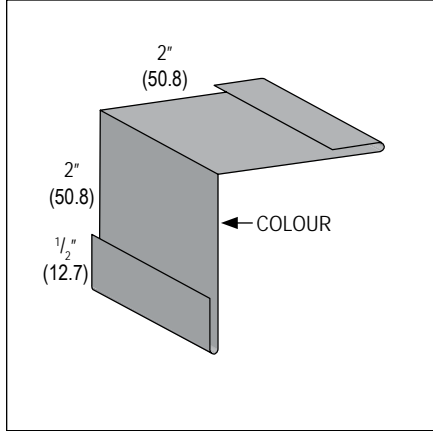


CAMBRIDGE, ON (855) 620-2720 | BRANDON/WINNIPEG, MB (800) 661-2823
SWIFT CURRENT/REGINA/SASKATOON, SK (800) 667-7468
AIRDRIE/EDMONTON, AB (800) 661-2826 | LANGLEY, BC (888) 937-8626



Product Description

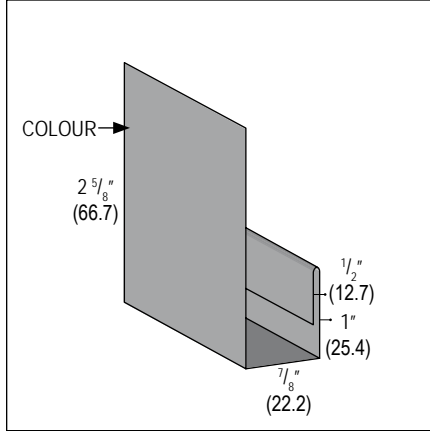
#498 Inside Corner



	SKU	Weight	Price
Galvanized	1498	2.8	
Galvalume	2498	2.7	
Colour	498	2.7	

Product Description

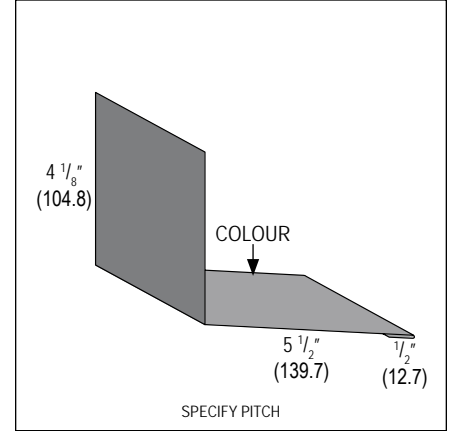
#252 J Trim



	SKU	Weight	Price
Galvanized	1252	2.7	
Galvalume	2252	2.5	
Colour	252	2.5	

Product Description

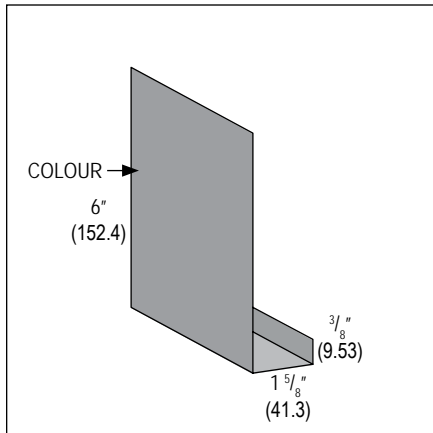
#603 Endwall



	SKU	Weight	Price
Galvanized	1603	5.4	
Galvalume	2603	5.2	
Colour	603	5.2	

Product Description

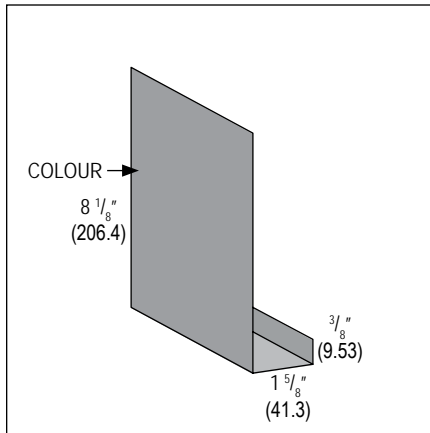
#610 Fascia



	SKU	Weight	Price
Galvanized	1610	4.4	
Galvalume	2610	4.2	
Colour	610	4.2	

Product Description

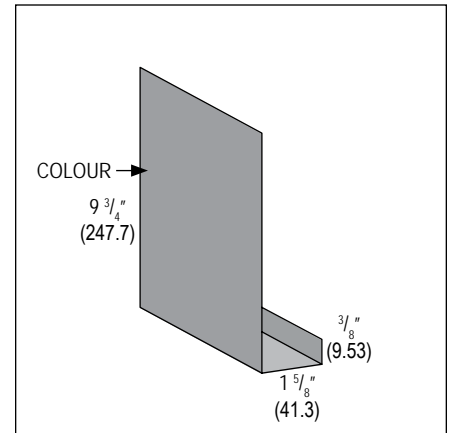
#611 Fascia



	SKU	Weight	Price
Galvanized	1611	5.5	
Galvalume	2611	5.3	
Colour	611	5.3	

Product Description

#612 Fascia



	SKU	Weight	Price
Galvanized	1612	6.4	
Galvalume	2612	6.0	
Colour	612	6.0	

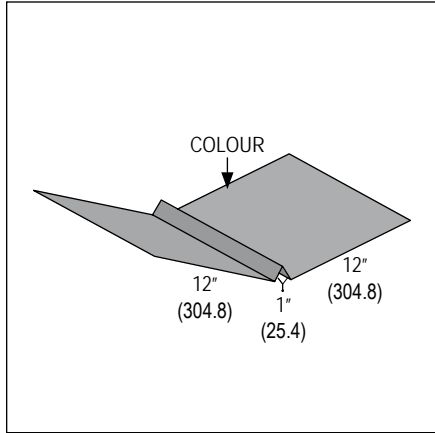
Add 25% for 26 gauge. • Check your local Westman branch for upcharge on Textured and Exotic colours. • Check your local Westman branch for colour availability. "Special" crating charges where applicable. • Fabrication charges where applicable. • Prices subject to change without notice.



CAMBRIDGE, ON (855) 620-2720 | BRANDON/WINNIPEG, MB (800) 661-2823
SWIFT CURRENT/REGINA/SASKATOON, SK (800) 667-7468
AIRDRIE/EDMONTON, AB (800) 661-2826 | LANGLEY, BC (888) 937-8626

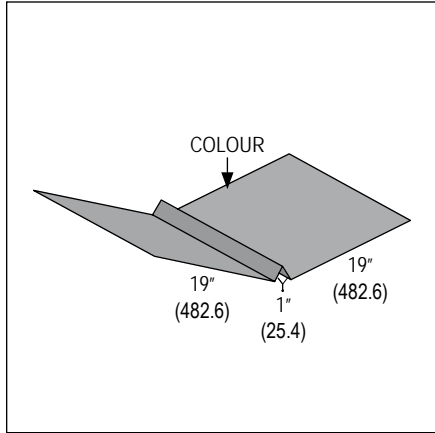


Product Description #588 W Valley



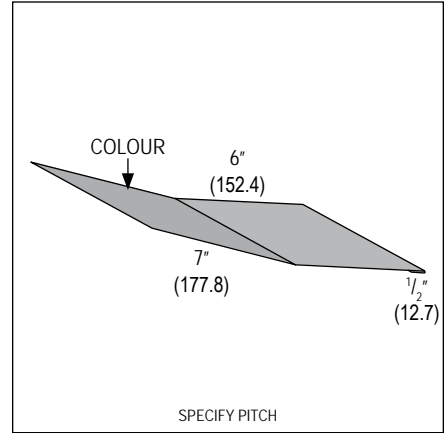
	SKU	Weight	Price
Galvanized	1588	13.8	
Galvalume	2588	13.2	
Colour	588	13.2	

Product Description #589 W Valley



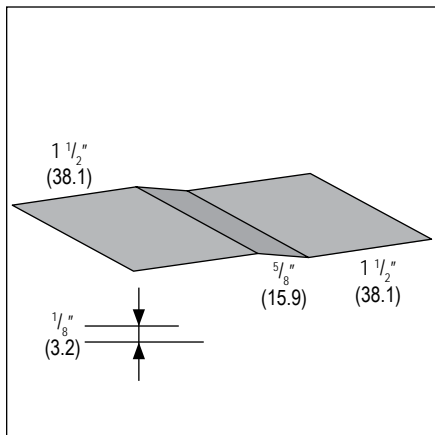
	SKU	Weight	Price
Galvanized	1589	21.3	
Galvalume	2589	20.3	
Colour	589	20.3	

Product Description #606 Transition



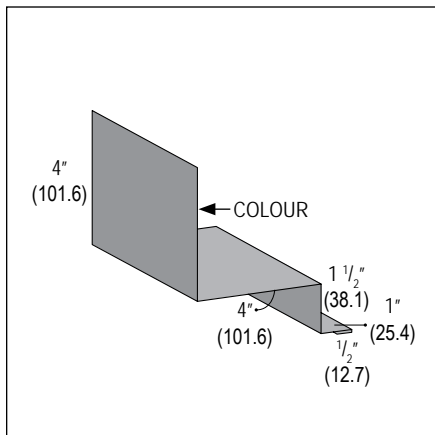
	SKU	Weight	Price
Galvanized	1606	7.2	
Galvalume	2606	6.9	
Colour	606	6.9	

Product Description #841 Offset Cleat - 24 Gauge ONLY



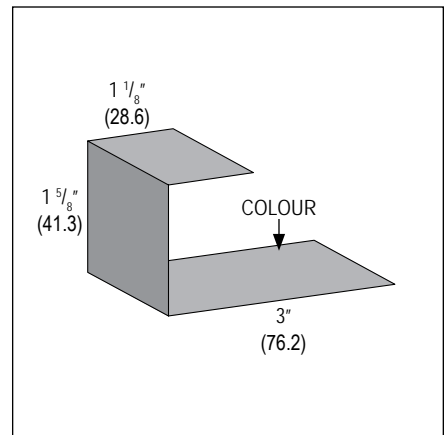
	SKU	Weight	Price
Galvanized			
Galvalume	2841	2.9	
Colour			

Product Description #842 Universal Sidewall



	SKU	Weight	Price
Galvanized	1842	5.8	
Galvalume	2842	5.6	
Colour	842	5.6	

Product Description #846 Panel Cap



	SKU	Weight	Price
Galvanized	1846	2.8	
Galvalume	2846	2.7	
Colour	846	2.7	

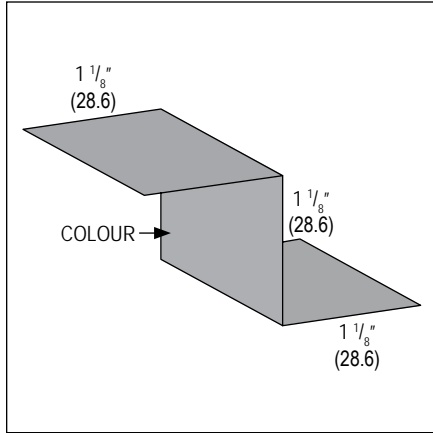
Add 25% for 26 gauge. • Check your local Westman branch for upcharge on Textured and Exotic colours. • Check your local Westman branch for colour availability. "Special" crating charges where applicable. • Fabrication charges where applicable. • Prices subject to change without notice.



CAMBRIDGE, ON (855) 620-2720 | BRANDON/WINNIPEG, MB (800) 661-2823
SWIFT CURRENT/REGINA/SASKATOON, SK (800) 667-7468
AIRDRIE/EDMONTON, AB (800) 661-2826 | LANGLEY, BC (888) 937-8626

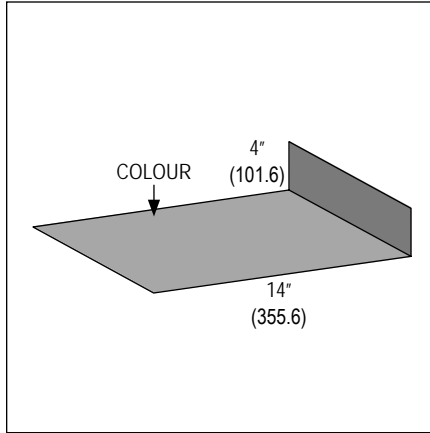


Product Description #843 Z Metal



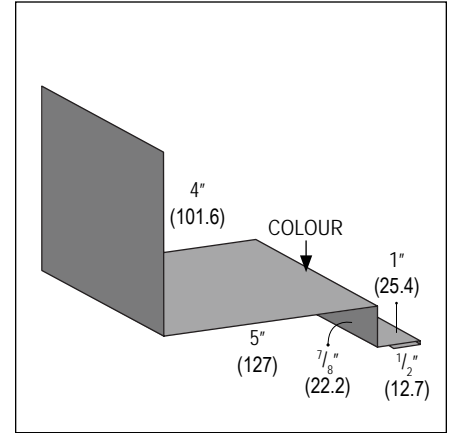
	SKU	Weight	Price
Galvanized	1843	1.8	
Galvalume	2843	1.7	
Colour	843	1.7	

Product Description #930 Curb Top Flashing



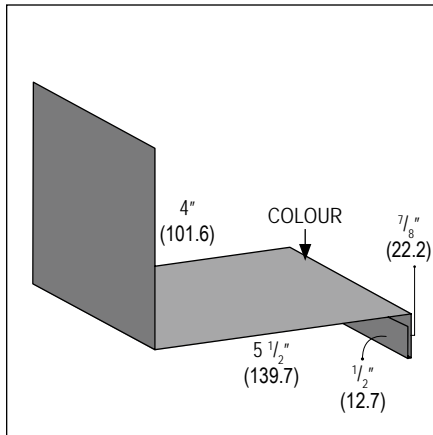
	SKU	Weight	Price
Galvanized	1930	8.8	
Galvalume	2930	8.4	
Colour	930	8.4	

Product Description #931 Curb Side Flashing



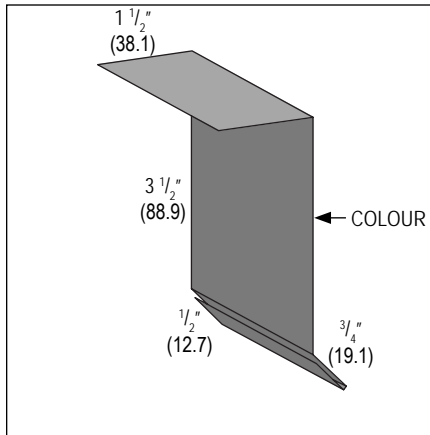
	SKU	Weight	Price
Galvanized	1931	6.1	
Galvalume	2931	5.8	
Colour	931	5.8	

Product Description #932 Curb Bottom Flashing



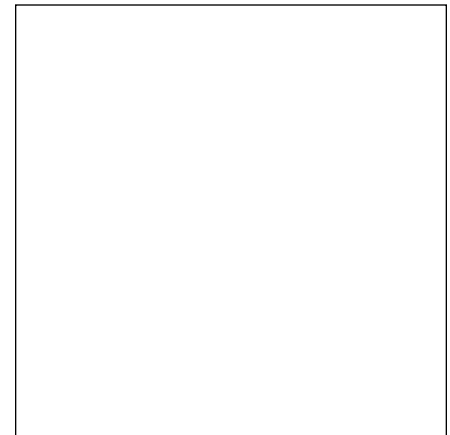
	SKU	Weight	Price
Galvanized	1932	5.8	
Galvalume	2932	5.6	
Colour	932	5.6	

Product Description #933 Curb Counter Flashing



	SKU	Weight	Price
Galvanized	1933	3.4	
Galvalume	2933	3.2	
Colour	933	3.2	

Product Description



	SKU	Weight	Price

Add 25% for 26 gauge. • Check your local Westman branch for upcharge on Textured and Exotic colours. • Check your local Westman branch for colour availability. "Special" crating charges where applicable. • Fabrication charges where applicable. • Prices subject to change without notice.



CAMBRIDGE, ON (855) 620-2720 | BRANDON/WINNIPEG, MB (800) 661-2823
SWIFT CURRENT/REGINA/SASKATOON, SK (800) 667-7468
AIRDRIE/EDMONTON, AB (800) 661-2826 | LANGLEY, BC (888) 937-8626

Custom Flashing



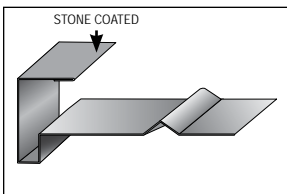
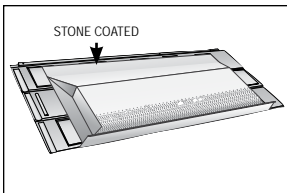
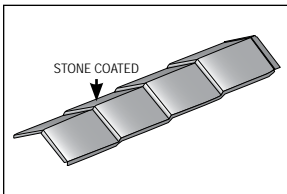
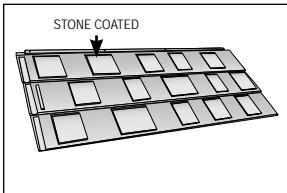
Stone Coated Steel Roofing





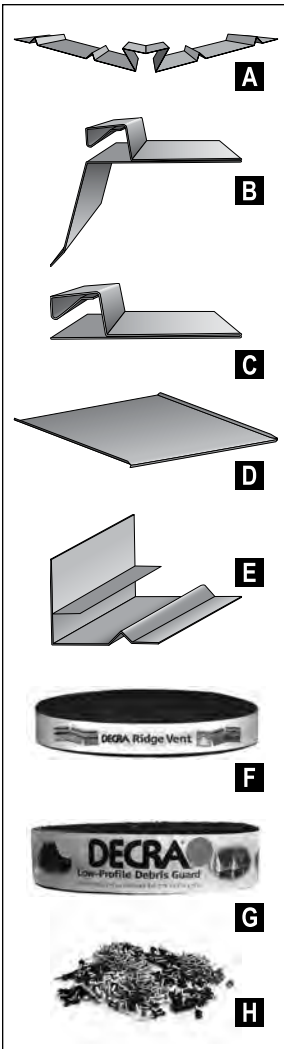
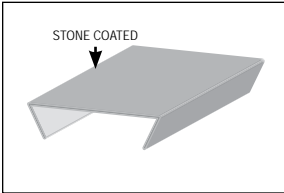
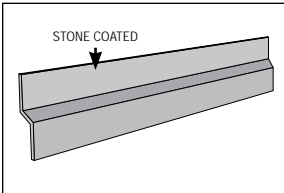
WESTMAN Steel's DECRA Shingle product line has the rich bold appearance of a heavy weight architectural shingle at a fraction of the weight. With its increased edge thickness and deep distinctive shadow lines, DECRA Shingle provides greater dimensionality and a robust appearance. DECRA Shingle is pressure formed aluminum-zinc alloy coated steel with an acrylic bonded stone chip finish. The stone coating resists fading and UV penetration.

Minimum Pitch: 4:12 Panel Size: 21" x 52"
Installed Exposure: 19 3/4" x 49"
Panels per Square: 15 (Installed Weight 125lbs/sq)
Installed Panel Coverage: 6.72 sqft



Product Description	Colour	SKU	Price Per Each
DECRA Shingle	Canyon Brown	CB900208	
	Fawn Grey	FG900220	
	Midnight Eclipse	ME900235	
	Vintage Slate	VS900210	
	Woodland Green	WG900230	
Hip and Ridge (25 3/4" Exposed)	Canyon Brown	CB2400208	
	Fawn Grey	FG2400220	
	Midnight Eclipse	ME2400235	
	Vintage Slate	VS2400210	
	Woodland Green	WG2400230	
Panel Vent (64" - Net Free Area)	Canyon Brown	96414001	
	Fawn Grey	96414003	
	Midnight Eclipse	96414005	
	Vintage Slate	96414002	
	Woodland Green	96414004	
Rake/Gable 6' 6"	Canyon Brown	CB3923060	
	Fawn Grey	FG3923040	
	Midnight Eclipse	ME3923035	
	Vintage Slate	VS3923020	
	Woodland Green	WG3923030	

Check your local Westman branch for availability, extended lead times may be required.
Prices subject to change without notice. • "Special" crating charges where applicable.



Product Description	Colour	SKU	Price Per Each
Stone Coated Z Bar 6' 6"	Canyon Brown	96380001	
	Fawn Grey	96380003	
	Midnight Eclipse	96380005	
	Vintage Slate	96380002	
	Woodland Green	96380004	
Valley Cap 6' 6"	Canyon Brown	CB14398001	
	Fawn Grey	FG14398003	
	Midnight Eclipse	ME14398005	
	Vintage Slate	VS14398002	
	Woodland Green	WG14398004	
A Valley 6' 6"	Zincalume	25927000	
B Starter Clip/Drip Edge 10'	Zincalume	25903000	
C Short Course Clip 10'	Zincalume	3930201	
D Underpan	Zincalume	3906950	
E Roof to Wall Channel 10'	Zincalume	3930030	
F Ridge Vent 40'		90531000	
G Low Profile Debris Guard 100'		90531055	
H Screws (500pc. per Bag)	Galvanized	WSC00011015NW	
Touch Up Kit <small>IMAGE NOT SHOWN</small>	Canyon Brown	CB3930280	
	Fawn Grey	FG3930220	
	Midnight Eclipse	ME3909435	
	Vintage Slate	VS3930210	
	Woodland Green	WG3909430	

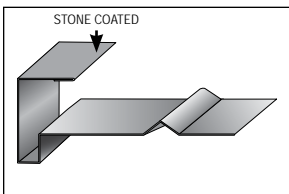
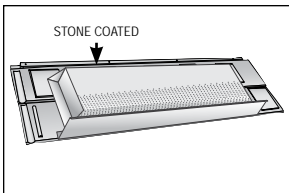
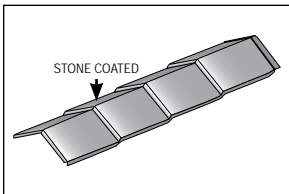
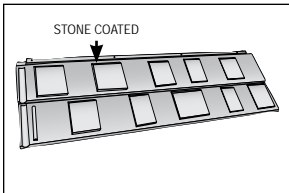
Check your local Westman branch for availability, extended lead times may be required.
Prices subject to change without notice. • "Special" crating charges where applicable.



With its thick cut edges and deep distinctive shadow lines, Westman's DECRA Shingle XD provides greater dimensionality and a robust appearance. This profile adds wonderful appeal to traditionally styled homes and is ideal to those who prefer the look of heavy-cut wood shingles.

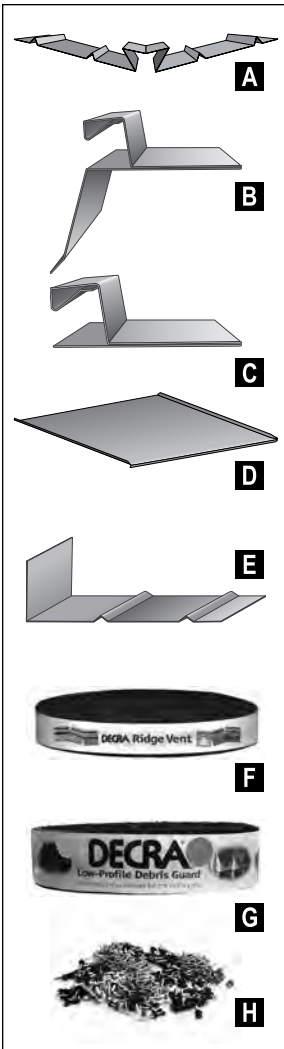
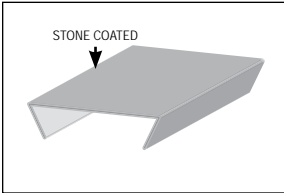
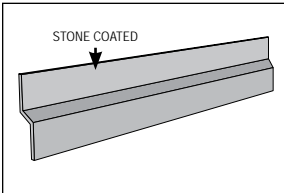
DECRA Shingle XD is pressure formed aluminum-zinc alloy coated steel with an acrylic bonded stone chip finish. The stone coating resists fading and UV penetration.

Minimum Pitch: 4:12 Panel Size: 14 1/8" x 52 3/8"
Installed Exposure: 12 1/4" x 49 1/2"
Panels per Square: 23.8 (Installed Weight 150lbs/sq)
Installed Panel Coverage: 4.21 sqft



Product Description	Colour	SKU	Price Per Each
DECRA Shingle XD	Classic Cobblestone	CC93275003	
	Old Hickory	OH93275001	
	Natural Slate	NS93275002	
Hip and Ridge (25 3/4" Exposed)	Classic Cobblestone	CC94230003	
	Old Hickory	OH94230001	
	Natural Slate	NS94230002	
Panel Vent (64" - Net Free Area)	Classic Cobblestone	96416003	
	Old Hickory	96416001	
	Natural Slate	96416002	
Rake/Gable 6' 6"	Classic Cobblestone	CC94392003	
	Old Hickory	OH94392001	
	Natural Slate	NS94392002	

Check your local Westman branch for availability, extended lead times may be required.
Prices subject to change without notice. • "Special" crating charges where applicable.



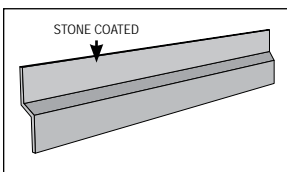
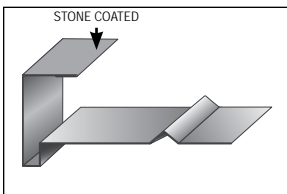
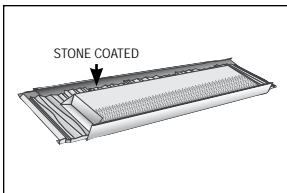
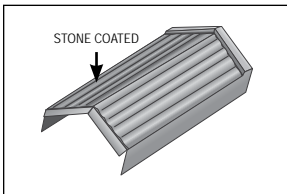
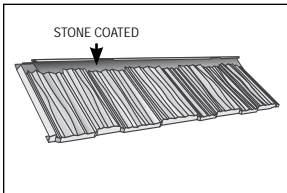
Product Description	Colour	SKU	Price Per Each
Stone Coated Z Bar 6' 6"	Classic Cobblestone	94380903	
	Old Hickory	94380901	
	Natural Slate	94380902	
Valley Cap 6' 6"	Classic Cobblestone	CC94397003	
	Old Hickory	OH94397001	
	Natural Slate	NS94397002	
A Valley 6' 6"	Zincalume	20222000	
B XD Starter Clip/Drip Edge 6' 6"	Zincalume	20222300	
C XD Short Course Clip 6' 6"	Zincalume	25905000	
D Underpan	Zincalume	3906950	
E XD Channel 6' 6"	Zincalume	202224000	
F Ridge Vent 40'		90531000	
G Low Profile Debris Guard 100'		90531055	
H Screws (500pc. per Bag)	Galvanized	WSC00011015NW	
Touch Up Kit <small>IMAGE NOT SHOWN</small>	Classic Cobblestone	CC90020903	
	Old Hickory	OH90020901	
	Natural Slate	NS90020902	

Check your local Westman branch for availability, extended lead times may be required.
Prices subject to change without notice. • "Special" crating charges where applicable.



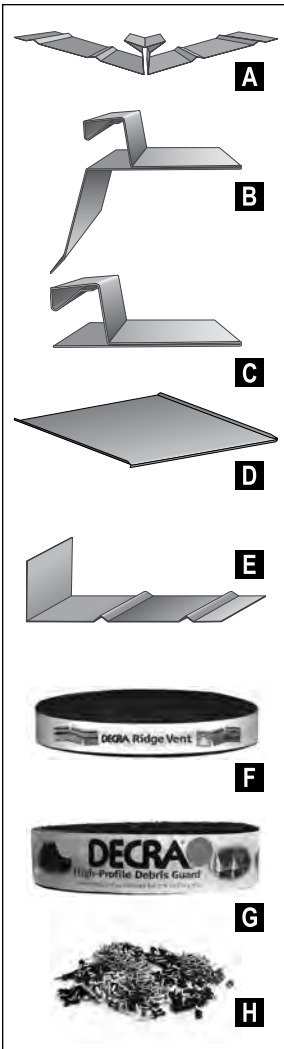
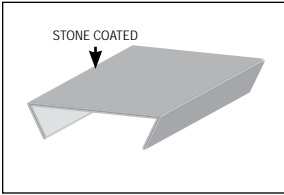
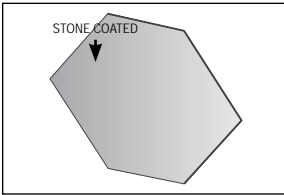
WESTMAN Steel's DECRA Shake XD emulates the classic beauty and architectural detail of thick, rustic, hand split wood shakes. The DECRA Shake XD does not require special tools and has only 23.4 pieces per square. This product installs quickly directly to the deck using a unique hidden fastening system. This product is available in multiple light and dark hues to create two unique dimensional color blends, including Antique Chestnut and Pinnacle Grey.

Minimum Pitch: 3:12 Panel Size: 14 1/8" x 52 1/8"
Installed Exposure: 12 3/8" x 49 7/8"
Panels per Square: 23.4 (Installed Weight 150lbs/sq)
Installed Panel Coverage: 4.287 sqft



Product Description	Colour	SKU	Price Per Each
DECRA Shake XD	Pinnacle Grey	PG03270760	
	Antique Chestnut	AG03270720	
Hip and Ridge (12 5/8" Exposed)	Pinnacle Grey	PG12222760	
	Antique Chestnut	AG12222720	
Panel Vent (64" - Net Free Area)	Pinnacle Grey	96413003	
	Antique Chestnut	96413720	
Rake/Gable 6' 6"	Pinnacle Grey	PG14394760	
	Antique Chestnut	AG14394720	
Stone Coated Z Bar 6' 6"	Pinnacle Grey	96380003	
	Antique Chestnut	96380720	

Check your local Westman branch for availability, extended lead times may be required.
Prices subject to change without notice. • "Special" crating charges where applicable.

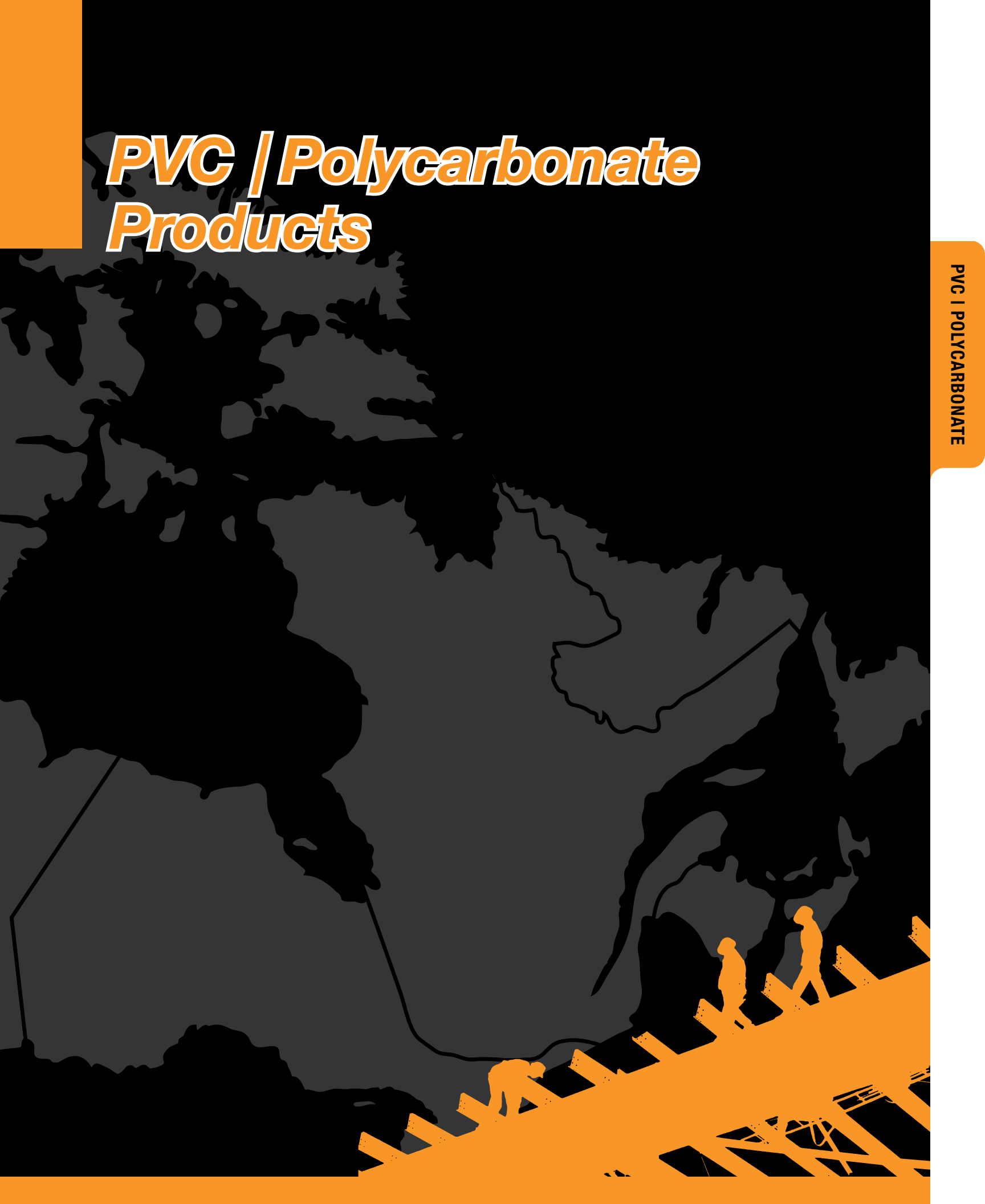


Product Description	Colour	SKU	Price Per Each
End Caps	Pinnacle Grey	PG12380003	
	Antique Chestnut	AG12380720	
Valley Cap 6' 6"	Pinnacle Grey	FG14398003	
	Antique Chestnut	AG14398720	
A Valley 6' 6"	Zincalume	20222000	
B XD Starter Clip/Drip Edge 6' 6"	Zincalume	20222300	
C XD Short Course Clip 6' 6"	Zincalume	25905000	
D Underpan	Zincalume	3906950	
E XD Channel 6' 6"	Zincalume	202224000	
F Ridge Vent 40'		90531000	
G High Profile Debris Guard 100'		90531050	
H Screws (500pc. per Bag)	Galvanized	WSC00011015NW	
	Pinnacle Grey	DECRA 97090060	
	Antique Chestnut	DECRA 97090060	
Touch Up Kit <small>IMAGE NOT SHOWN</small>	Pinnacle Grey	FG3930220	
	Antique Chestnut	AG30020100	

Check your local Westman branch for availability, extended lead times may be required.
Prices subject to change without notice. • "Special" crating charges where applicable.

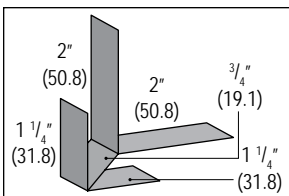
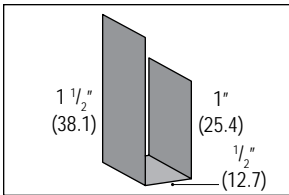
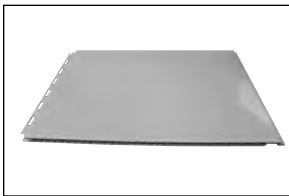
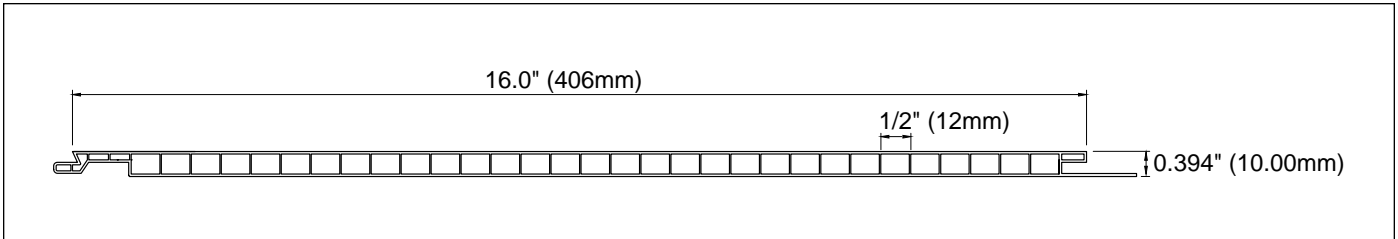
PVC / Polycarbonate Products

PVC | POLYCARBONATE



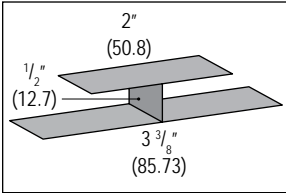
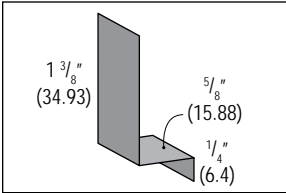
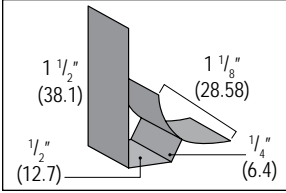
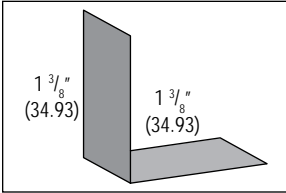


WESTMAN Steel's Clean 16 PVC Liner Panels are designed to exceed modern hygienic construction and statutory building codes. Clean 16 PVC Liner's webbed design provides outstanding spanning capability as well as high-strength. This product's surface is highly durable and resistant to scratches, chemicals, and moisture.



Product Description	Length	SKU	Price
Clean 16 PVC Liner Panel	8'0"	CLEAN16PVC1608	
Clean 16 PVC Liner Panel	10'0"	CLEAN16PVC1610	
Clean 16 PVC Liner Panel	12'0"	CLEAN16PVC1612	
Clean 16 PVC Liner Panel	16'0"	CLEAN16PVC1616	
Clean 16 PVC Liner Panel	19'6"	CLEAN16PVC16195	
PVC J Trim	12'0"	CLEAN16PVCJ12	
PVC Outside Corner Trim	12'0"	CLEAN16PVCOSC12	

Prices subject to change without notice. • "Special" crating charges where applicable.



Product Description	Length	SKU	Price
PVC Corner Trim	120"	CLEAN16PVCC12	
PVC Inside Cove/Endwall Trim	120"	CLEAN16PVCC12	
PVC Bottom Drip Trim	120"	CLEAN16PVCBD12	
PVC H Divider	120"	CLEAN16PVCH12	

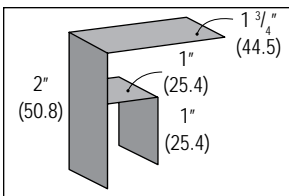
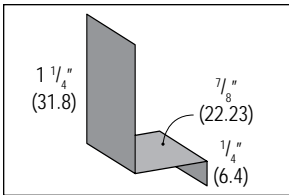
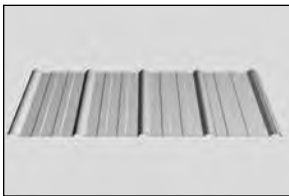
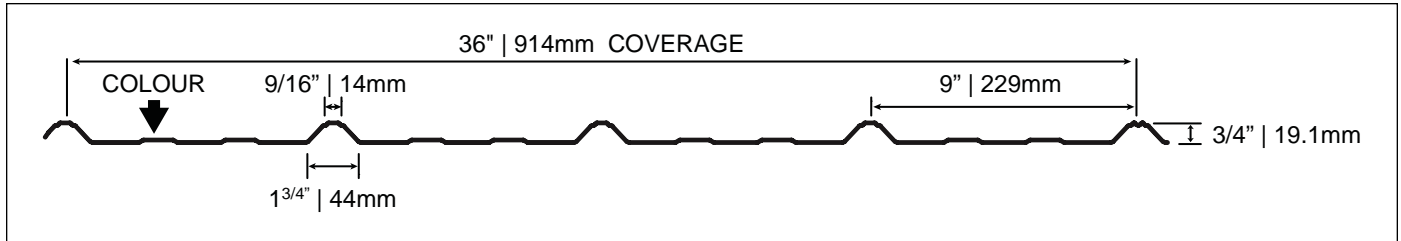
Prices subject to change without notice. • "Special" crating charges where applicable.



CAMBRIDGE, ON (855) 620-2720 | BRANDON/WINNIPEG, MB (800) 661-2823
SWIFT CURRENT/REGINA/SASKATOON, SK (800) 667-7468
AIRDRIE/EDMONTON, AB (800) 661-2826 | LANGLEY, BC (888) 937-8626

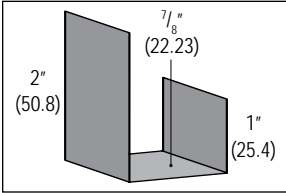


Offering a cost effective, and alternative solution to traditional industry liner packages, PVC Tough Rib/936 Liner Panels cover a number of applications for various building formats. With a 10 Year Limited Warranty PVC Tough Rib/936 Liner Panels are non flammable, lightweight and easy to install. They are also corrosion resistant and virtually indestructible through its high impact strength properties. Panels are available in 36" coverage in white only.



Product Description	Length	SKU	Price
PVC Tough Rib/936	12' 2"	36TR12AM	
PVC Tough Rib/936	16' 4"	36TR16AM	
PVC Tough Rib/936	20' 4"	36TR20AM	
PVC Base Trim White	10'0"	2403	
PVC Inside Corner White	10'0"	2400	

Prices subject to change without notice. • "Special" crating charges where applicable.



Product Description	Length	SKU	Price
PVC J Trim White	10'0"	2402	

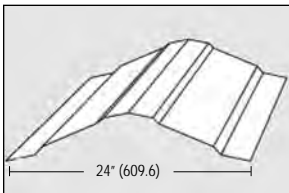
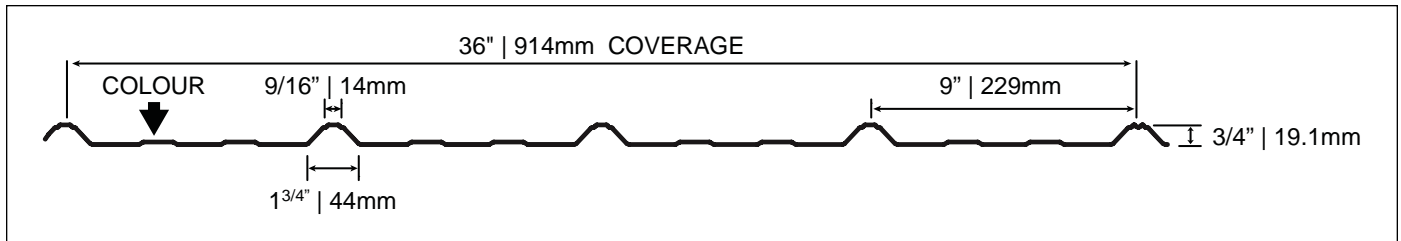
Prices subject to change without notice. • "Special" crating charges where applicable.



CAMBRIDGE, ON (855) 620-2720 | BRANDON/WINNIPEG, MB (800) 661-2823
SWIFT CURRENT/REGINA/SASKATOON, SK (800) 667-7468
AIRDRIE/EDMONTON, AB (800) 661-2826 | LANGLEY, BC (888) 937-8626



WESTMAN Steel's Tough Rib Polycarbonate and Ridge-Lite Skylights and Sidelight panels bring natural light into buildings. These panels retain optical clarity, with the Tough Rib Polycarbonate carrying a 10 Year Pro Rated Warranty against yellowing. These products are made of tough polycarbonate and are up to 20 times stronger than fiberglass. Tough Rib Polycarbonate and Ridge Lite panels are 100% UV protected, as well as hail and wind resistant. Tough Rib Polycarbonate also withstands extreme temperatures, from -40°F to 270°F, to match the performance of the most popular metal roofing profiles on the market today.

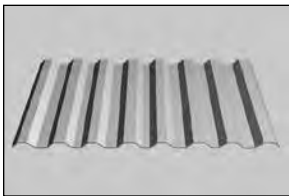
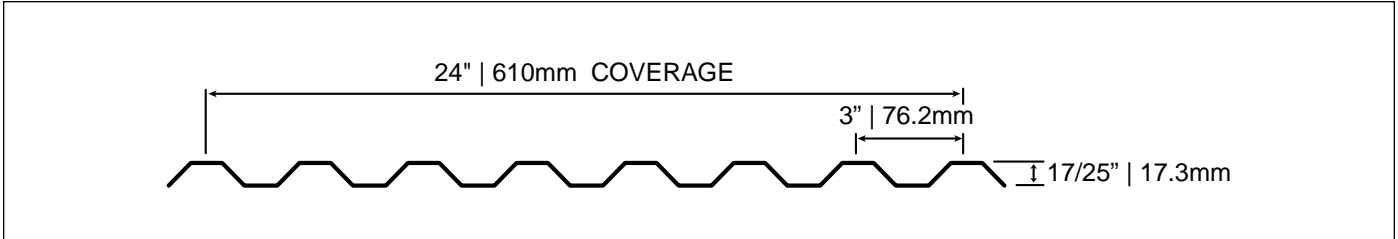


Product Description	Length	Colour	SKU	Price
24" Ridge Cap Polycarbonate	10' 6"	Clear	RIDGELITE C	
36" Tough Rib Polycarbonate Panel	2' 3"	Clear	360002.25AM	
36" Tough Rib Polycarbonate Panel	8' 0"	Clear	360008AM	
36" Tough Rib Polycarbonate Panel	10' 0"	Clear	3600010AM	
36" Tough Rib Polycarbonate Panel	12' 0"	Clear	3600012AM	

Prices subject to change without notice. • "Special" crating charges where applicable.



The strongest polycarbonate panel you can buy yet flexible and easy to work with. This panel is 20 times stronger than traditional fiberglass and is ideal for patios or greenhouses with the benefit of being 90% light transmitting and hail resistant. With a 10 Year Prorated Warranty against yellowing this panel has a trapezoidal rib for strength, is completely reversible (install label side up for UV Protection) and comes in colours such as smoke, white, and clear in lengths as shown below.

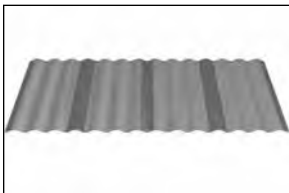
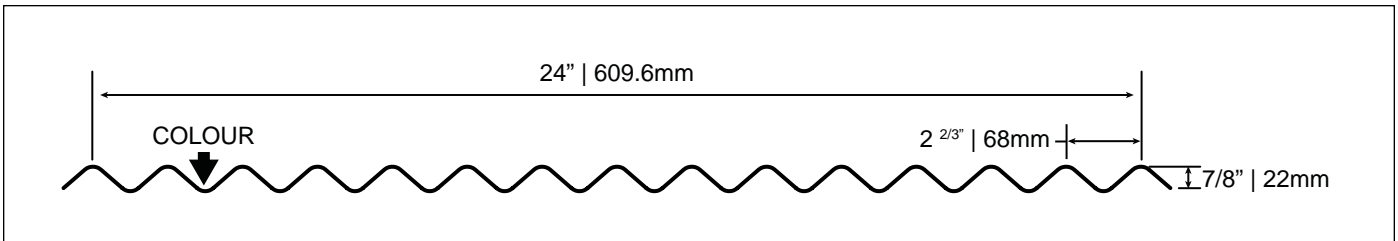


Product Description	Size	Colour	SKU	Price
Greca Polycarbonate	24" x 8'	Clear	14181AM	
Greca Polycarbonate	24" x 8'	Translucent White	14131AM	
Greca Polycarbonate	24" x 8'	Smoke	14191AM	
Greca Polycarbonate	24" x 10'	Clear	14182AM	
Greca Polycarbonate	24" x 12'	Clear	14183AM	
Greca Polycarbonate	24" x 12'	Translucent White	14133AM	
Greca Polycarbonate	24" x 12'	Smoke	14193AM	

Prices subject to change without notice. • "Special" crating charges where applicable.



Corrugated PVC is our popular traditional round wave style panel. These panels are 10 times stronger than 5 oz. fiberglass. Corrugated PVC is weather-resistant and formulated to resist ultra violet rays and excessive temperatures. This product is available in opaque panels to block the sun's rays, or translucent panels to allow filtered light.

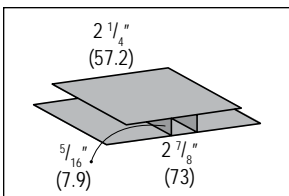
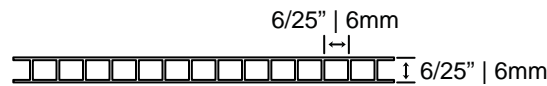


Product Description	Size	Colour	SKU	Price
Corrugated PVC	24" x 8'	Crystal Clear	12143AM	
Corrugated PVC	24" x 10'	Crystal Clear	12142AM	
Corrugated PVC	24" x 12'	Crystal Clear	12141AM	
Corrugated PVC	24" x 8'	Opaque White	12011AM	
Corrugated PVC	24" x 12'	Opaque White	12013AM	

Prices subject to change without notice. • "Special" crating charges where applicable.

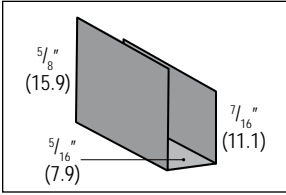


Multiwall provides an effective alternative to traditional glazings for applications as diverse as Commercial Greenhouses and Industrial Roofing to Office partitions, Carports, and Sunrooms. Made from the highest quality polycarbonate sheet, and featuring high light transmission, and an anti-drip and anti-fog coating, Multiwall is virtually unbreakable and carries a full pro-rated 10 Year Warranty against yellowing and loss of light transmission. Multiwall can be special ordered in 4.5mm, 6mm, and 10mm gauges in the following colors: Clear, White, Opal, Bronze, Softlite. Sheet sizes and lengths will vary, extended lead time will be required, please inquire.



Product Description	Size	Colour	SKU	Price
Clear 6mm Multiwall	8' x 48"	Clear	1594350	
Anti Dust Tape	32' Roll	Clear	1594381	
Clear H Divider	8'	Clear	1594371	

Prices subject to change without notice. • "Special" crating charges where applicable.



Product Description	Size	Colour	SKU	Price
PVC J Trim White	8'	Clear	1594370	

Prices subject to change without notice. • "Special" crating charges where applicable.

Fasteners





Ordering Colour Fasteners

When ordering the colour variant of any WESTMAN STEEL fastener product, simply place the Colour Code, shown below, before the SKU number code. All Galvanized product SKUs are listed for you.

Example:

To order #10 x 1" Painted in Dark Red the full SKU would read - **WS02501010**

Ordering Colour Mini Drill Point Fasteners

When ordering the colour variant of a WESTMAN STEEL MDP (Mini Drill Point) fastener product, simply place the last 3 digits of the Colour Code, shown below, behind the SKU number code. All Galvanized product SKUs are listed for you.

Example:

To order #10 x 1" Painted MDP (Mini Drill Points) in Dark Red the full SKU would read - **MDP1010250**

Classic Colours	Colour Code
Black	0262
Bone White	0273
Bright Red	0386
Bright White	4783
Buckskin	9202
Burgundy	8011
Charcoal	0306
Coffee	0326
Dark Red	0250
Deep Water Green	3684

Classic Colours	Colour Code
Gold	0276
Heron Blue	0330
Hickory Moss	9368
Int'l Orange	0234
Ivory	8802
Light Stone	9367
Medium Green	0329
Melchers Green	0307
Metro Brown	0228
Pacific Turquoise	0258

Classic Colours	Colour Code
Regent Grey	1730
Royal Blue	0790
Sapphire Blue	0261
Slate Blue	0260
Stone Grey	0305
Tan	0315
Tile Red	0259
Whistler Green	8093
White White	0317

Commercial	Colour Code
Antique Linen	3696
Black	0262
Bone White	0273
Bronze	3406
Bright White	4783
Buckskin	9202
Cambridge White	3695
Charcoal	0306
Coffee	0326

Commercial	Colour Code
Dark Brown	0229
Dark Red	0250
Deepwater Green	3684
Desert Gold	3404
Gold	0276
Heron Blue	0330
Medium Green	0329
Melchers Green	0307
Metro Brown	0228

Commercial	Colour Code
Regent Grey	1730
Royal Blue	0790
Slate Blue	0260
Stone Grey	0305
Tan	0315
Whistler Green	8093
White White	0317

Textured Colours	Colour Code
Chocolate Brown	6034
Chrome Green	6037
Graphite Grey	6035

















Textured Colours	Colour Code
Jet Black	6039
Oxide Red	6042
Sepia Brown	6041

Exotic Colours	Colour Code
Copper Penny	COPP
Dark Zinc	0306
Rustic Red	1426
Silver Mist	2008

Washers included unless noted otherwise. • Check your local Westman branch for availability, extended lead times may be required. Special order fasteners sold in full pail quantities ONLY, freight charges will be applicable. • Prices subject to change without notice.










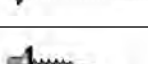
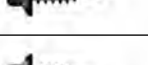
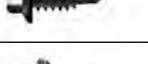







	SKU	Product Description	Application	Pieces Per Pail	Weight	Price Per Each
	WS00011010	#10 x 1" Galvanized	Steel Panel to Wood	3000	25 lbs.	
	MDP1010	#10 x 1" Galvanized (MDP) Mini Drill Points	Steel Panel to Wood	3000	25 lbs.	
	WSXXX1010	#10 x 1" Painted	Steel Panel to Wood	3000	25 lbs.	
	MDP1010XXX	#10 x 1" Painted (MDP) Mini Drill Points	Steel Panel to Wood	3000	25 lbs.	
	WS00011015	#10 x 1 1/2" Galvanized	Steel Panel to Wood	2500	27 lbs.	
	MDP1015	#10 x 1 1/2" Galvanized (MDP) Mini Drill Points	Steel Panel to Wood	2500	27 lbs.	
	WSXXX1015	#10 x 1 1/2" Painted	Steel Panel to Wood	2500	27 lbs.	
	MDP1015XXX	#10 x 1 1/2" Painted (MDP) Mini Drill Points	Steel Panel to Wood	2500	27 lbs.	
	WS00011020	#10 x 2" Galvanized	Steel Panel to Wood	2000	27 lbs.	
	MDP1020	#10 x 2" Galvanized (MDP) Mini Drill Points	Steel Panel to Wood	2000	27 lbs.	
	WSXXX1020	#10 x 2" Painted	Steel Panel to Wood	2000	27 lbs.	
	MDP1020XXX	#10 x 2" Painted (MDP) Mini Drill Points	Steel Panel to Wood	2000	27 lbs.	
	WS00011030	#10 x 3" Galvanized	Steel Panel to Wood	1000	19 lbs.	
	WSXXX1030	#10 x 3" Painted	Steel Panel to Wood	1000	19 lbs.	
	WS00011410	#14 x 1" Galvanized	Steel Panel to Wood	2000	36 lbs.	
	WSXXX1410	#14 x 1" Painted	Steel Panel to Wood	2000	36 lbs.	

Washers included unless noted otherwise. • Check your local Westman branch for availability, extended lead times may be required. Special order fasteners sold in full pail quantities ONLY, freight charges will be applicable. • Prices subject to change without notice.



CAMBRIDGE, ON (855) 620-2720 | BRANDON/WINNIPEG, MB (800) 661-2823
 SWIFT CURRENT/REGINA/SASKATOON, SK (800) 667-7468
 AIRDRIE/EDMONTON, AB (800) 661-2826 | LANGLEY, BC (888) 937-8626



	SKU	Product Description	Application	Pieces Per Pail	Weight	Price Per Each
	WS000114125	#14 x 1 1/4" Galvanized	Steel Panel to Wood	2000	40 lbs	
	WSXXX14125	#14 x 1 1/4" Painted	Steel Panel to Wood	2000	40 lbs.	
	WS00011415	#14 x 1 1/2" Galvanized	Steel Panel to Wood	1500	23 lbs.	
	WSXXX1415	#14 x 1 1/2" Painted	Steel Panel to Wood	1500	23 lbs.	
	WS00011420	#14 x 2" Galvanized	Steel Panel to Wood	1000	28 lbs.	
	WSXXX1420	#14 x 2" Painted	Steel Panel to Wood	1000	28 lbs.	
	SS00011478	#14 x 7/8" Stitch Galvanized	Steel Panel to Steel Panel	2500	26 lbs.	
	SSXXX1478	#14 x 7/8" Stitch Painted	Steel Panel to Steel Panel	2500	26 lbs.	
	SD00011210	#12 x 1" Self Drillers Galvanized	Steel Panel to Steel	3000	38 lbs.	
	SDXXX1210	#12 x 1" Self Drillers Painted	Steel Panel to Steel	3000	38 lbs.	
	SD00011215	#12 x 1 1/2" Self Drillers Galvanized	Steel Panel to Steel	2000	33 lbs.	
	SDXXX1215	#12 x 1 1/2" Self Drillers Painted	Steel Panel to Steel	2000	33 lbs.	
	SD00011220	#12 x 2" Self Drillers Galvanized	Steel Panel to Steel	2000	33 lbs.	
	SDXXX1220	#12 x 2" Self Drillers Painted	Steel Panel to Steel	2000	33 lbs.	
	PH00011010J	#10 x 1" Pancake Galvanized No Washer	Steel/PVC Panel to Wood	3000	23 lbs.	
	CMXXX1010	#10 x 1" Nylon Head No Washer	Steel Panel to Wood	2500	23 lbs.	

Washers included unless noted otherwise. • Check your local Westman branch for availability, extended lead times may be required. Special order fasteners sold in full pail quantities ONLY, freight charges will be applicable. • Prices subject to change without notice.

















CAMBRIDGE, ON (855) 620-2720 | BRANDON/WINNIPEG, MB (800) 661-2823
 SWIFT CURRENT/REGINA/SASKATOON, SK (800) 667-7468
 AIRDRIE/EDMONTON, AB (800) 661-2826 | LANGLEY, BC (888) 937-8626

Closures

















CLOSURES

	SKU	Product Description	Length	Price
	556319	Closure Large Tab 936 & Tough Rib	36"	
	556318	Closure Small Tab 936 & Tough Rib	36"	
	556135	Closure Large Tab Rainbow Rib	37"	
	556133	Closure Small Tab Rainbow Rib	37"	
	LTCTSM32	Closure Large Tab TSM32	32"	
	STCTSM32	Closure Small Tab TSM32	32"	
	556336-12	Closure Large Tab 12" Snap Lok	36" (3 Panels)	
	556337-12	Closure Small Tab 12" Snap Lok	36" (3 Panels)	
	556336-16	Closure Large Tab 16" Snap Lok	32" (2 Panels)	
	556337-16	Closure Small Tab 16" Snap Lok	32" (2 Panels)	
	556321	Closure Large Tab Diamond Rib	36"	
	556320	Closure Small Tab Diamond Rib	36"	
	LTMDC	Closure Large Tab Multi Drain	36"	
	STMDC	Closure Small Tab Multi Drain	36"	

Check your local Westman branch for availability, extended lead times may be required. • Prices subject to change without notice.
 "Special" crating charges where applicable. • Charges apply for Short Sheet production. • Fabrication charges where applicable.










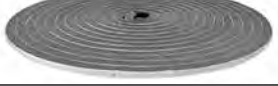
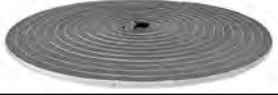


	SKU	Product Description	Length	Price
	188134	Closure AWR Large Tab	36"	
	188133	Closure AWR Small Tab	36"	
	556325	Closure Large Tab Elite Rib/Ultraspans	36"	
	556324	Closure Small Tab Elite Rib/Ultraspans	36"	
	DMLTC	Closure Large Tab Deck Mate	36"	
	DMSTC	Closure Small Tab Deck Mate	36"	
	188181	Closure 7/8" Corrugated	37"	
	188180	Closure 1/2" Corrugated	34.67"	
	1594403	Greca Polycarbonate Closure Foam (5pc Pkg)	36"	
	1594402	Greca Polycarbonate Closure Plastic (6pc Pkg)	24"	
	1594401	Corrugated PVC Closure Foam (5pc Pkg)	36"	
	1594400	Corrugated PVC Closure Plastic (6pc Pkg)	24"	
	1594404	Vertical Closure Plastic (6pc Pkg)	24"	
	LTCVTR36	Vented Closure - Tough Rib (for use with #579 Ridgcap)	36"	

Check your local Westman branch for availability, extended lead times may be required. • Prices subject to change without notice.
 "Special" crating charges where applicable. • Charges apply for Short Sheet production. • Fabrication charges where applicable.



CAMBRIDGE, ON (855) 620-2720 | BRANDON/WINNIPEG, MB (800) 661-2823
 SWIFT CURRENT/REGINA/SASKATOON, SK (800) 667-7468
 AIRDRIE/EDMONTON, AB (800) 661-2826 | LANGLEY, BC (888) 937-8626

	SKU	Product Description	Length	Price
	RPVC	Vented Closure – AWR Panel (36" Coverage)	36"	
	MDVLT	Vented Closure - Multi Drain (for use with #579 Ridgcap)	36"	
	CRV	Roll Vent 10-1/2" x 20'	20' 0"	
	VCSL12	Vented Closure - Snap Lok 12" Panel (36" coverage, 3 Panels)	36" (3 Panels)	
	VCSL16	Vented Closure - Snap Lok 16" Panel (32" coverage, 2 Panels)	32" (2 Panels)	
 1 ROLL REQUIRED EACH SIDE OF THE RIDGE	TO900PV25	Profile Ridge Vent Closure Tough Rib (2 x 25' Rolls)	50'	
 1 ROLL REQUIRED EACH SIDE OF THE RIDGE	TO15019V	Profile Ridge Vent Closure AWR (2 x 25' Rolls)	50'	
	AST3875	3/8" x 3/4" x 13' AST Hi Acrylic (expands to 1 1/2")	13'	
	AST1475	1/4" x 3/4" x 20' AST Hi Acrylic (expands to 1")	20'	
	556338	Universal Closure 18' x 1 1/2" x 1 1/2"	18'	
	UFC1X1X50	Universal Closure 50' x 1" x 1"	50'	

Check your local Westman branch for availability, extended lead times may be required. • Prices subject to change without notice.
 "Special" crating charges where applicable. • Charges apply for Short Sheet production. • Fabrication charges where applicable.

Accessories





MAGNETIC SOCKETS



BUTYL SEALANT TAPE



SEALANTS



UNDERLAYMENT



SNOWSHOES



SKU	Product Description	Price EA
25MDB-2	#10 Magnetic Socket (1/4" Hex Head)	
516MDB	#12 Magnetic Socket (5/16" Hex Head)	
38MDB-2	#14 Magnetic Socket (3/8" Hex Head)	
3209030	1/8" x 1/2" Butyl Tape (30ft. per roll)	
BT40	5/32" x 7/32" Butyl Tape (40ft. Per rolls)	
M1BLACK	M1 Black Adhesive/Sealant	
M1GRAY	M1 Gray Adhesive Seant	
M1LIMESTONE	M1 Limestone Adhesive/Sealant	
M1WHITE	M1 White Adhesive/Sealant	
995825	Tube Caulking Supra Clear	
48250	FELTEX 48" x 250ft (875sqft coverage)	
F1202	Per Pack: Clear 24 Snow Shoes, 3 Tubes Durasil Adhesive, Rubber Gloves	
F1202SM	Per Pack: Smoke 24 Snow Shoes, 3 Tubes Durasil Adhesive, Rubber Gloves	

Prices subject to change without notice.



CAMBRIDGE, ON (855) 620-2720 | BRANDON/WINNIPEG, MB (800) 661-2823
SWIFT CURRENT/REGINA/SASKATOON, SK (800) 667-7468
AIRDRIE/EDMONTON, AB (800) 661-2826 | LANGLEY, BC (888) 937-8626



WINDOW WELLS



CUSTOM SIZES AVAILABLE
EXTENDED LEAD TIME REQUIRED

CUPOLAS



WEATHER VANES SOLD SEPARATELY BASE AND
CUPOLA AVAILABLE IN MIXED/MATCHED COLOURS

MASTER FLASH



MASTER FLASH RETRO FIT



MASTER FLASH HI TEMP



SKU	Product Description	Price EA
WW423021	Window Well 20Ga Galv 42" w x 30" p x 21" h	
WW543021	Window Well 20Ga Galv 54" w x 30" p x 21" h	
WW663021	Window Well 20Ga Galv 66" w x 30" p x 21" h	
WW783021	Window Well 20Ga Galv 78" w x 30" p x 21" h	
Special Order	CB 24 Cupola (up to 5:12 Pitch, optional Base, optional Flashing)	
Special Order	CB 36 Cupola (up to 5:12 Pitch, optional Base, optional Flashing)	
Special Order	CB 24 Cupola (over 5:12 Pitch, optional Base, optional Flashing)	
Special Order	CB 36 Cupola (over 5:12 Pitch, optional Base, optional Flashing)	
MF#1	Master Flash # 1 (1/4" - 2 1/2")	
MF#2	Master Flash # 2 (1-1/4" - 3")	
MF#3	Master Flash # 3 (1/4" - 5")	
MF#4	Master Flash # 4 (3" - 6-1/4")	
MF#5	Master Flash # 5 (4-1/4" - 7-3/4")	
MF#6	Master Flash # 6 (5" - 9")	
MF#7	Master Flash # 7 (6" - 11")	
MF#8	Master Flash # 8 (7" - 13")	
MF#9	Master Flash # 9 (9" - 19")	
RD8011	Retro Fit Master Flash (3/4" - 2-3/4")	
RD8012	Retro Fit Master Flash (2" - 7-1/4")	
RD8013	Retro Fit Master Flash (3-1/4" - 10")	
40336910	Master Flash # 3 Hi Temp Silicone Red (1/4" - 4")	
4036910	Master Flash # 5 Hi Temp Silicone Red (4-1/4" - 7-3/4")	
4038910	Master Flash # 8 Hi Temp Silicone Red (7" - 13")	
4039910	Master Flash # 9 Hi Temp Silicone Red (9" - 19")	

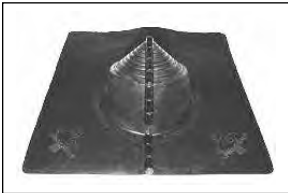
Prices subject to change without notice.



ROOF SHIELD



E-MAST FLASHING



SKU	Product Description	Price EA
DORMER CAP SMLL	Roof Shield Small 12-1/4"	
DORMER CAP LRG	Roof Shield Large 16-1/2"	
SHINGLE RETROFT	E-Mast Flashing 0" - 3-3/8"	

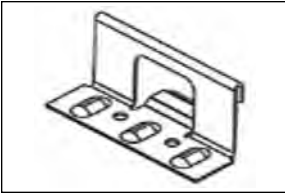
Prices subject to change without notice.



CAMBRIDGE, ON (855) 620-2720 | BRANDON/WINNIPEG, MB (800) 661-2823
SWIFT CURRENT/REGINA/SASKATOON, SK (800) 667-7468
AIRDRIE/EDMONTON, AB (800) 661-2826 | LANGLEY, BC (888) 937-8626



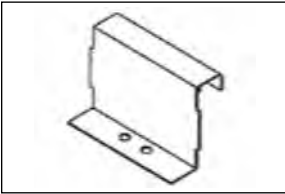
FIXED CLIP - SNAP SEAM 1 1/2"



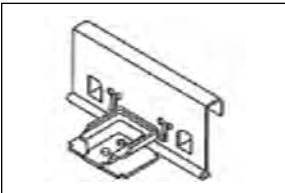
FIXED CLIP - MECH. LOCK 1 1/2"



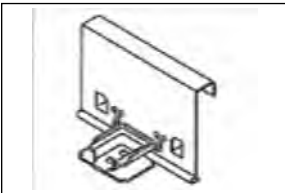
FIXED CLIP - MECH. LOCK 2"



FLOAT CLIP - MECH. LOCK 1 1/2"



FLOAT CLIP - MECH. LOCK 2"



SKU	Product Description	Price EA
1023821	Fixed Clip Height - 1.46", Width - 3.5", 2 - Hole Material 18 ga. G-90 Galv. Container Quantity - 125	
1093692	Fixed Clip Height - 1.59", Width - 2", 2 - Hole Material 24 ga. G-90 Galv. Container Quantity - 350	
1213346	Fixed Clip Height - 2.07", Width - 3", 2 - Hole Material 22 ga. G-90 Galv. Container Quantity - 250	
1069208	Floating Clip Height - 2", Width - 4.2", 2-Hole Base Material 16 ga. G-90 Galv. Tab Material 22 ga. G-90 Galv. Container Quantity - 80	
1069206	Floating Clip Height - 2.4", Width - 4.3", 2-Hole Base Material 16 ga. G-90 Galv. Tab Material 22 ga. G-90 Galv. Container Quantity - 80	

Prices subject to change without notice.



CAMBRIDGE, ON (855) 620-2720 | BRANDON/WINNIPEG, MB (800) 661-2823
SWIFT CURRENT/REGINA/SASKATOON, SK (800) 667-7468
AIRDRIE/EDMONTON, AB (800) 661-2826 | LANGLEY, BC (888) 937-8626

Door Systems



QUICK TRACK™ SYSTEM

KEY-HOLE™ TRACK SYSTEM


Product Description	Weight	SKU	Price
Quick Track™ White 8'	30.4 lbs ea.	711158	
Quick Track™ White 10'	38 lbs ea.	711159	
Quick Track™ White 12'	45.6 lbs ea.	711160	
Note(s) <ul style="list-style-type: none"> • Top Mounted 14Ga Galvanized Track with an 18Ga White Cover. • Designed for weather protection on doors up to 4 1/2" thick, 475 lbs on single trolleys and 600 lbs on Double Truck trolleys. • Splice Collar (465101) required for each section of track less one. Endcaps (711489) required if not using End Cover Package (711205). 			
End Cover Q/T White (1 pair)	0.6 lbs ea.	711205	
Note(s) <ul style="list-style-type: none"> • For Quick Track ONLY. One pair required for each track run. Comes with screws and end caps. 			
Key-Hole Track Galvanized 8'	16 lbs ea.	643836	
Key-Hole Track Galvanized 10'	20 lbs ea.	643837	
Key-Hole Track Galvanized 12'	24 lbs ea.	711061	
Key-Hole Track Galvanized 16'	32 lbs ea.	711063	
Key-Hole Track Galvanized 20'	40 lbs ea.	711065	
Note(s) <ul style="list-style-type: none"> • 14Ga Galvanized Track. Patented key-hole design makes this track the most versatile of the track systems. • Key holes are punched every 2 feet for mounting brackets. Requires one Splice Collar (465101) for each section of track less one. • Requires one set of End Caps (711489) each track run. • Maximum door weight of 400lbs with Delrin trolleys and 600lbs with double truck trolleys. 			
Splice Collar	0.6 lbs ea.	465101	
Note(s) <ul style="list-style-type: none"> • Galvanized with locking lugs to keep track firmly in place, and keep from rotating. One required for each section of track less one. 			
End Cap With Mounting Bolt	1 lbs ea.	711489	
Note(s) <ul style="list-style-type: none"> • Packaged per pair with mounting bolts. 			

Check your local Westman branch for availability, extended lead times may be required. Prices subject to change without notice. • "Special" crating charges where applicable.



Product Description	Weight	SKU	Price
Face Mount Bracket For Track & Cover	0.4 lbs ea.	646513	
Note(s) • May be used on 1" or 2" track plank. Galvanized, for doors up to 3 3/4" in thickness.			
Top Mount Keyhole Bracket	0.3 lbs ea.	646519	
Note(s) • For doors up to 3 3/4" in thickness. Galvanized. Use with 2" track plank only.			
Face Mount Track Bracket	1 lbs ea.	646512	
Note(s) • May be used on 1" or 2" track plank. Galvanized brackets.			
Double Track Bracket Plate	1.3 lbs ea.	712137	
Note(s) • Designed for mounting double runs of bolt hung track.			
Track Cover Retainer Bracket	0.1 lbs ea.	712136	
Note(s) • Designed for easy installation of track cover for either single or double runs of bolt hung track.			
Key Hole Bolt Hung Track Fastener	0.2 lbs ea.	643840	
Note(s) • Special 1" long bolts, 1 1/8" OD Washers, speed nuts and hex nuts, all zinc plated.			
Face Mount End Cover	1.2 lbs per pair	711210	
Note(s) • For use with #225 FM Track Cover. • See Cannonball Standard Flashing for pricing and details.			

Check your local Westman branch for availability, extended lead times may be required. Prices subject to change without notice. • "Special" crating charges where applicable.


TUBULAR™ TRACK SYSTEM

TROLLEY HANGERS


Product Description	Weight	SKU	Price
Top Mount End Cover	1.2 lbs per pair	711212	
Note(s) <ul style="list-style-type: none"> • For use with #226 TM Track Cover. • See Cannonball Standard Flashing for pricing and details. 			
Universal Side Bracket	0.95 lbs ea.	646505	
Note(s) <ul style="list-style-type: none"> • For use when mounting a single run of track. Packaged with 3/8" x 2 1/2" lag bolts. Zinc plated. 			
Universal Double Side Bracket	3 lbs ea.	646801	
Note(s) <ul style="list-style-type: none"> • For use when mounting two parallel runs of track. Usually used for by passing doors. Zinc plated. 			
Track Curve 90° 38" Radius	15 lbs ea.	643312	
Note(s) <ul style="list-style-type: none"> • Can be used with Key-hole or tubular track systems. For use when your desired door width is twice your wall length. Zinc plated. 			
Ceiling Bracket Zinc	1 lbs ea.	646602	
Note(s) <ul style="list-style-type: none"> • Permits one or more runs of track to be mounted to ceilings on overhead support. Zinc plated. 			
Pendant Bolt for Trolley Hangers	0.5 lbs ea.	462033	
Note(s) <ul style="list-style-type: none"> • 4 way adjustable offset pendant bolt. Includes special adjusting nuts. 			

Check your local Westman branch for availability, extended lead times may be required. Prices subject to change without notice. • "Special" crating charges where applicable.


DOOR HARDWARE & ACCESSORIES


Product Description	Weight	SKU	Price
Pendant Bolt 9 1/2" Offset (for Trolley Hangers) Note(s) • 4 way adjustable - use on wood or metal frame doors not weighing more than 600 lbs. Packaged per pair.	4.6 lbs per pair	713999	
Adjustable Mounting Bracket Trolley Package Note(s) • Recommended for solid wood doors up to 1 13/16" thick, not weighing over 600 lbs.	6.7 lbs per pair	711221	
Double Truck Trolley With Bar, Bolt and Plate Note(s) • For use on doors 600 - 1200 lbs. Comes with 9 1/2" bolt trolley support plate designed for Bigg Frame doors.	10 lbs per pair	714420	
Adjustable Stay Roller Note(s) • Offset/Adjustable galvanized stay roller designed to allow 3 way adjustability, to better hold your door close to your building	1.9 lbs ea.	710806	
Center Door Guide & Stop Note(s) • Package contains 2 710950 and 1 centre stop package.	8 lbs ea.	711271	
Stay Guide 8' c/w Hardware Note(s) • For use with #244 bottom rail. Comes complete with brackets (Galvanized). Should engage 60% of door panel width.	13 lbs ea.	724575	

Check your local Westman branch for availability, extended lead times may be required. Prices subject to change without notice. • "Special" crating charges where applicable.



Product Description	Weight	SKU	Price
White Vinyl-Coat Adjust-A-Stop Note(s) <ul style="list-style-type: none"> Vinyl coated to add lasting beauty to any door installation and to protect your door installation. 	1.2 lbs ea.	710899	
Cam Latch Zinc Note(s) <ul style="list-style-type: none"> Providing a non exposed, one handed operation, to secure siding doors, swinging doors or gates from inside your building. Raise lever to open, push down to latch. 	1.3 lbs ea.	711504	
Gate, Stall and Door Latch Note(s) <ul style="list-style-type: none"> Heavy Duty 1/2" x 10" steel bolt, reversible for RH/LH installation. Bolt acts as handle providing simple, positive operation, with trouble free operation. Can be padlocked w/ installation of padlock eye. Zinc plated. 	1.7 lbs ea.	710586	
Jamb Latch 7 Note(s) <ul style="list-style-type: none"> Adjustable jamb latch with a smooth, even finish, providing heavy duty operation. 	1.2 lbs ea.	728106	
Jumbo White Door Pull Note(s) <ul style="list-style-type: none"> White vinyl coated for beauty and weather protection. 	0.5 lbs ea.	710654	
Metal Vertical Side Door Snugger Note(s) <ul style="list-style-type: none"> Used with either wood or steel horizontals, the chain sliding down the diverging rods draws the door tight to the jamb providing protection to the door and eliminating door rattle. Two required per opening. 	1.8 lbs ea.	711201	

Check your local Westman branch for availability, extended lead times may be required. Prices subject to change without notice. • "Special" crating charges where applicable.

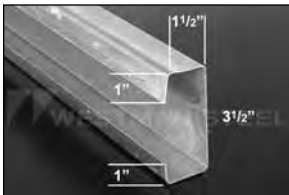
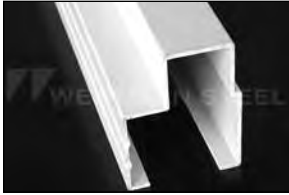


KWIK FRAME

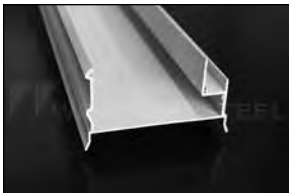


Product Description	Weight	SKU	Price
Metal Vertical Center Door Snugger	2 lbs ea.	711200	
Note(s) • Used with wood/steel horizontals, the chain sliding down the diverging rods draws the door verticals together providing protection to the door and eliminating door rattle. One required each double leaf door.			
Brush Seals Quick Frame Bottom Rail	0.4 lbs ea.	500904	
Note(s) • Providing weather protection.			
#8 x 1/2 inch Bright White Self Drillers (100pc Packs)	1 lbs ea.	SD478308005-100	
Note(s) • Self drilling fasteners designed to help with the building of your door.			
200B Side Rail 10' White	7.6 lbs ea.	200B - 10	
200B Side Rail 12' White	9.2 lbs ea.	200B - 12	
200B Side Rail 14' White	10.6 lbs ea.	200B - 14	
200B Side Rail 16' White	12.2 lbs ea.	200B - 16	
200B Side Rail 18' White	13.7 lbs ea.	200B - 18	
200B Side Rail 20' White	15.2 lbs ea.	200B - 20	
Note(s) • For use with 1 1/2" horizontals (white only).			
216B Double Couple 10' White	9.3 lbs ea.	216B - 10	
216B Double Couple 12' White	11.2 lbs ea.	216B - 12	
216B Double Couple 14' White	13.0 lbs ea.	216B - 14	
216B Double Couple 16' White	14.9 lbs ea.	216B - 16	
216B Double Couple 18' White	16.7 lbs ea.	216B - 18	
216B Double Couple 20 White	18.6 lbs ea.	216B - 20	
Note(s) • For use in place of one #200 vertical where doors meet. Eliminates gap between doors and has a built in J Trim (white only).			

Check your local Westman branch for availability, extended lead times may be required. Prices subject to change without notice. • "Special" crating charges where applicable.

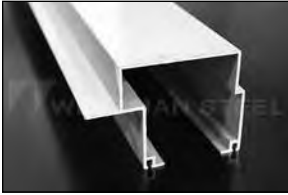


BIGG FRAME



Product Description	Weight	SKU	Price
244 Bottom Rail 10' White	10 lbs ea.	244 - 10	
244 Bottom Rail 12' White	12 lbs ea.	244 - 12	
244 Bottom Rail 14' White	14 lbs ea.	244 - 14	
244 Bottom Rail 16' White	16 lbs ea.	244 - 16	
244 Bottom Rail 18' White	18 lbs ea.	244 - 18	
244 Bottom Rail 20' White	20 lbs ea.	244 - 20	
Note(s) • Eliminates wood rail and provides channel for continuous bottom guide (white only).			
235-12 Box Beam Girts	15 lbs ea.	235 - 12	
235-14 Box Beam Girts	17 lbs ea.	235 - 14	
235-16 Box Beam Girts	19 lbs ea.	235 - 16	
235-18 Box Beam Girts	21 lbs ea.	235 - 18	
235-20 Box Beam Girts	23 lbs ea.	235 - 20	
Note(s) • 20 Gauge Galvanized Steel Box Beam Girts.			
Steel C Girt 10'	11 lbs ea.	1023520	
Steel C Girt 12'	14 lbs ea.	1223520	
Steel C Girt 14'	16 lbs ea.	1423520	
Steel C Girt 16'	18 lbs ea.	1623520	
Steel C Girt 18'	20 lbs ea.	1823520	
Steel C Girt 20'	22 lbs ea.	2023520	
Note(s) • 20 Gauge Galvanized Steel C Girts.			
391 Side Rail BIGG Frame 16'	15 lbs ea.	391 - 16	
391 Side Rail BIGG Frame 18'	17 lbs ea.	391 - 18	
391 Side Rail BIGG Frame 20'	18.7 lbs ea.	391 - 20	
Note(s) • For use with 3 1/2" horizontals, comes with built in J trim (white only).			
396 Double Couple BIGG Frame 16'	16.3 lbs ea.	396 - 16	
396 Double Couple BIGG Frame 18'	18.3 lbs ea.	396 - 18	
396 Double Couple BIGG Frame 20'	20.4 lbs ea.	396 - 20	
Note(s) • For use in place of one #391 vertical where doors meet. Eliminates gap between doors and has a built in J Trim (white only).			

Check your local Westman branch for availability, extended lead times may be required. Prices subject to change without notice. • "Special" crating charges where applicable.



Product Description	Weight	SKU	Price
394 Bottom Rail BIGG Frame 12'	14.6 lbs ea.	394 - 12	
394 Bottom Rail BIGG Frame 16'	19.4 lbs ea.	394 - 16	
394 Bottom Rail BIGG Frame 18'	21.7 lbs ea.	394 - 18	
394 Bottom Rail BIGG Frame 20'	24.2 lbs ea.	394 - 20	
<p>Note(s)</p> <ul style="list-style-type: none"> Eliminates wood rail and provides channel for continuous bottom guide (white only). 			

Check your local Westman branch for availability, extended lead times may be required.
Prices subject to change without notice. • "Special" crating charges where applicable.



MAN DOORS



ROLL UP DOORS

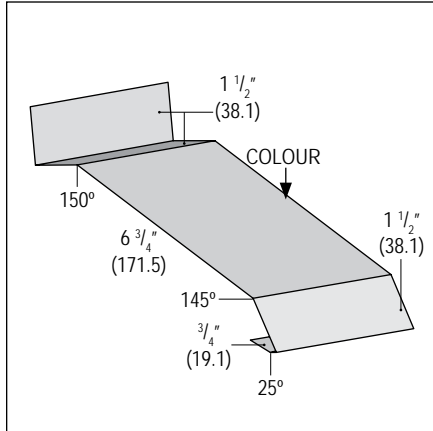


Product Description	Weight	SKU	Price
4068 (Aluminum Jambs) Man Door	75 lbs ea.	755852	
4068 (Steel Jambs - w/thermal break) Man Door	105 lbs ea.	730824	
3068 (Steel Jambs - w/thermal break) Man Door	80 lbs ea.	756254	
3068 1734 Series Utility Grade Door	75 lbs ea.	732113	
CB Standard Lock Set	2 lbs ea.	728117	
48" x 6'8" White Roll Up Door	168 lbs ea.	TR944-4068	
60" x 6'8" White Roll Up Door	210 lbs ea.	TR944-5068	
72" x 6'8" White Roll Up Door	252 lbs ea.	TR944-6068	
96" x 6'8" White Roll Up Door	280 lbs ea.	TR944-8068	

Check your local Westman branch for availability, extended lead times may be required. Prices subject to change without notice. • "Special" crating charges where applicable.



CAMBRIDGE, ON (855) 620-2720 | BRANDON/WINNIPEG, MB (800) 661-2823
SWIFT CURRENT/REGINA/SASKATOON, SK (800) 667-7468
AIRDRIE/EDMONTON, AB (800) 661-2826 | LANGLEY, BC (888) 937-8626

Product Description
 #225 FM Track Cover


	SKU	Weight	Price
Galvanized	1225	6.37	
Galvalume	2225	6.07	
Colour	225	6.07	

Ordering Colour Flashing

When ordering the colour variant of any WESTMAN STEEL flashing product, simply place the Colour Code before the SKU number code.

Example:

To order #225 FM Track Cover in Galvanized the full SKU would read: 1225

To order #225 FM Track Cover in Galvalume the full SKU would read: 2225

To order #225 FM Track Cover in Dark Red the full SKU would read: 8250225

Classic Colours	Colour Code
Black	8262
Bone White	8273
Bright Red	8386
Bright White	8783
Buckskin	9202
Burgundy	8011
Charcoal	8306
Coffee	8326
Dark Red	8250
Deep Water Green	8684

Classic Colours	Colour Code
Gold	9276
Heron Blue	8330
Hickory Moss	9368
Int'l Orange	9234
Ivory	8802
Light Stone	9367
Medium Green	8329
Melchers Green	8307
Metro Brown	8228
Pacific Turquoise	9258

Classic Colours	Colour Code
Regent Grey	8730
Royal Blue	8790
Sapphire Blue	9261
Slate Blue	8260
Stone Grey	8305
Tan	8315
Tile Red	8259
Whistler Green	8093
White White	8317

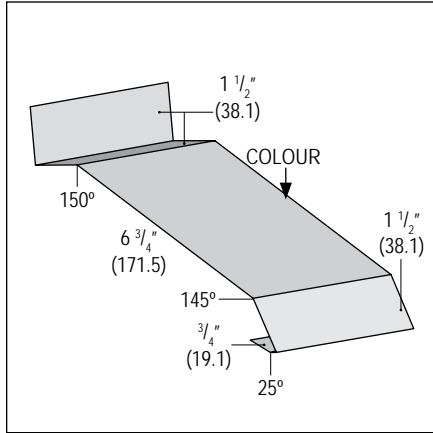
Textured Colours	Colour Code
Chocolate Brown	6034
Chrome Green	6037
Graphite Grey	6035

Textured Colours	Colour Code
Jet Black	6039
Oxide Red	6042
Sepia Brown	6041

Exotic Colours	Colour Code
Copper Penny	8029
Dark Zinc	1430
Rustic Red	1426
Silver Mist	8047

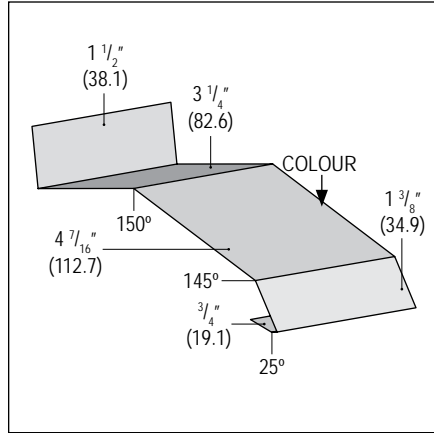
Add 25% for 26 gauge. • Check your local Westman branch for upcharge on Textured and Exotic colours. • Check your local Westman branch for colour availability. "Special" crating charges where applicable. • Fabrication charges where applicable. • Prices subject to change without notice.

Product Description
#225 FM Track Cover



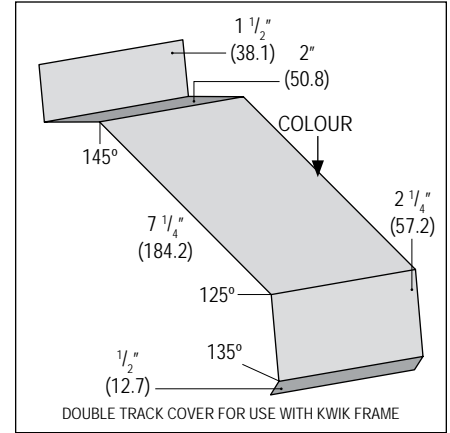
	SKU	Weight	Price
Galvanized	1225	6.37	
Galvalume	2225	6.07	
Colour	225	6.07	

Product Description
#226 TM Track Cover



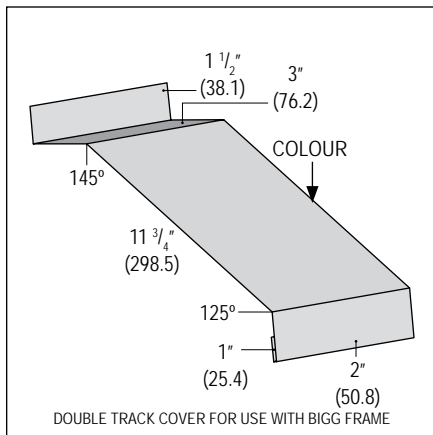
	SKU	Weight	Price
Galvanized	1226	6.37	
Galvalume	2226	6.07	
Colour	226	6.07	

Product Description
#227 FM Track Cover 26Ga



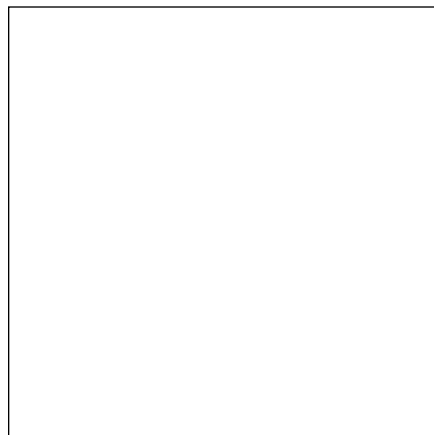
	SKU	Weight	Price
Galvanized	1227	7.17	
Galvalume	2227	6.86	
Colour	227	6.86	

Product Description
#228 FM Track Cover 26Ga



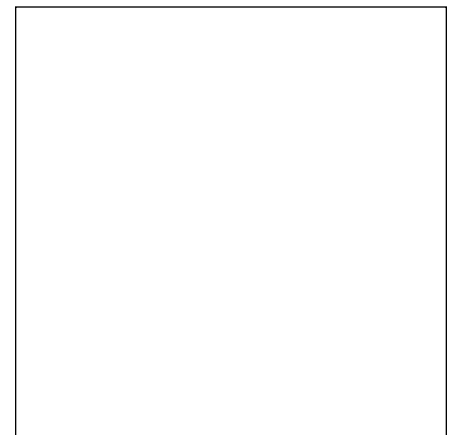
	SKU	Weight	Price
Galvanized	1228	10.2	
Galvalume	2228	9.8	
Colour	228	9.8	

Product Description



	SKU	Weight	Price

Product Description

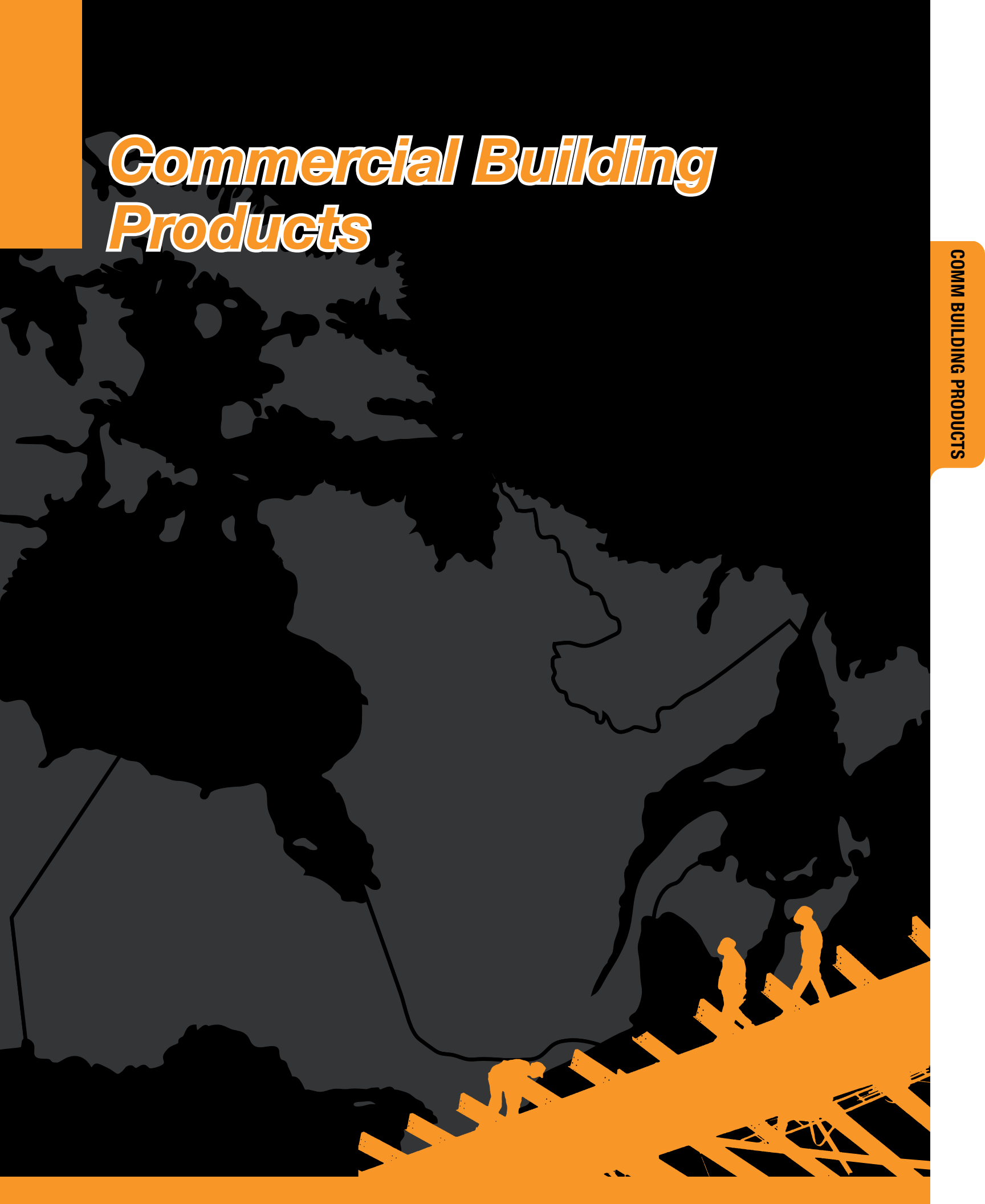


	SKU	Weight	Price

Add 25% for 26 gauge. • Check your local Westman branch for upcharge on Textured and Exotic colours. • Check your local Westman branch for colour availability. • "Special" crating charges where applicable. • Fabrication charges where applicable. • Prices subject to change without notice.

Commercial Building Products

COMM BUILDING PRODUCTS



Commercial Flashing

COMMERCIAL FLASHING



Technical Information



Brochures/Literature





westmansteel.com

Manitoba
Rivers
Winnipeg
Laval
Saint Sauveur
Portage la Prairie
Quebec
Sainte-adele
Newfoundland
Bridgton
Saint-Jovite
Nova Scotia
Lac du Bonnet
Boissevain
Mont-Tremblant
Stony Mountain
Laurentides
Prince Edward Island
Souris Neepawa
Milton
Waterloo
New Brunswick
Cambridge
Ontario
Woodstock
Kitchener
Furlington
Hamilton
Brantford
Caledonia