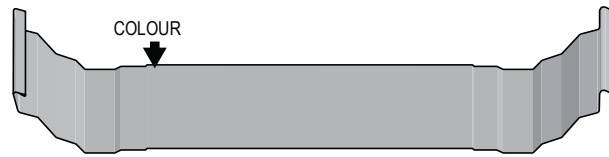


Structural spanning & self supporting.

See SSR24 Section Properties page & Load Table.

See SSR24 Design Manual for additional technical information and details.



MINIMUM 1/4:12 PITCH

Available as a Floating Clip System. Hand/mechanical seaming required.

Factory applied sealant along underside of receiving edge.

Thermal roof system with variable depth floating clips. Minimum 2" insulation recommended. Solar, Fall Arrest & snow management attachment systems available.

The steel used to manufacture SSR24 sheets, meets or exceeds the following specifications and reference standards:

**ASTM A792/A792M**, 55% Aluminum-Zinc Alloy-Coated (Galvalume) Steel Sheet with coating designation AZM150 [AZ50] for Painted Galvalume and AZM 165 [AZ55] Plain Galvalume sheets.

**CSSBI 20M-17**, Standard for Sheet Steel Cladding for Architectural, Industrial and Commercial Building Applications.

**CSSBI S8-2018**, Quality and Performance Specification for Prefinished Sheet Steel Used for Building Products.

**CSA-S136-16**, North American Specification for the Design of Cold-Formed Steel Structural Members.

Classic/Comm	Colour Code	Gauge(s)			Classic/Comm	Colour Code	Gauge(s)			Classic/Comm	Colour Code	Gauge(s)		
		24	22				24	22				24	22	
Antique Linen	8696	•			Deep Water Green	8684				Metro Brown	8228			
Black	8262	•			Galvalume	2	•	•		Pacific Turquoise	8258			
Bone White	8273	•	•		Galvanized	1				Regent Grey	8730	•		
Bright Red	8386				Gold	8276				Royal Blue	8790	•		
Bright White	8783	•			Heron Blue	8330				Sapphire Blue	8261			
Buckskin	9202				Hickory Moss	9368				Slate Blue	8260	•		
Burgundy	8011				Int'l Orange	8234				Stone Grey	8305	•	•	
Cambridge White	8695				Iron Ore	8614				Tan	8315	•	•	
Charcoal	8306	•	•		Ivory	8802				Tile Red	8259			
Coffee	8326	•			Light Stone	9367	•			Whistler Green	8093			
Dark Brown	8229				Medium Green	8329				White White	8317	•	•	
Dark Red	8250				Melcher's Green	8307								

Textured	Colour Code	24	22
Chocolate Brown	6034		
Chrome Green	6037		
Graphite Grey	6035		

Textured	Colour Code	24	22
Jet Black	6039		
Oxide Red	6042		
Sepia Brown	6041		

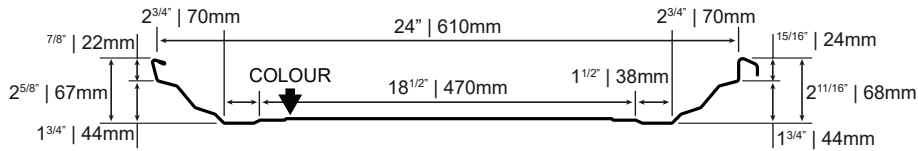
Exotic	Colour Code	24	22
Copper Penny	2005		
Dark Zinc	1430		
Rustic Red	1426		
Silver Mist	8047		
Corten	9942		

Wood Grain	Colour Code	24	22
Frontier Espresso	4100		

Wood Grain	Colour Code	24	22
Frontier Cedar	4101		

Product Description	Grade(s)	lbs./Lin. Ft.	Additional Information
24 Gauge Plain Galvalume	50	2.35	<p><b>Please contact your nearest location for availability and minimum/maximum lengths.</b></p> <p><b>Extended lead time may be required.</b></p> <p><b>See Westman Steel Colour Chart for complete range. Contact for custom colour &amp; specialty coating option.</b></p>
24 Gauge Coloured	50	2.40	
22 Gauge Plain Galvalume	50	2.93	
22 Gauge Coloured	50	2.93	

Colour availability can vary by branch and may result in longer lead times. Additional crating and freight charges may apply.



Structural spanning & self supporting.

See SSR24 Design Manual for additional technical information and details.



MINIMUM 1/4:12 PITCH

## SECTION PROPERTIES

SECTION PROPERTIES   PER FOOT OF WIDTH, IN ACCORDANCE WITH CSA STANDARD S136									
BASE STEEL THICKNESS (inches)	WEIGHT [G90] (psf)	YIELD STRESS (ksi)	SECTION MODULUS		DEFLECTION MOMENT OF INERTIA (in <sup>4</sup> )	SPECIFIED WEB CRIPPLING DATA			
			MIDSPAN (in <sup>3</sup> )	SUPPORT (in <sup>3</sup> )		Pe1 END (lb)	Pe2 END (lb)	Pt1 INT (lb)	Pt2 INT (lb)
0.0240	1.26	50	0.0997	0.0864	0.179				
0.0300	1.56	50	0.126	0.109	0.227				
LLF = 1.50; IMPF = 0.90; NORMAL OCCUPANCY = 1.0									

SECTION PROPERTIES   PER METRE OF WIDTH, IN ACCORDANCE WITH CSA STANDARD S136									
BASE STEEL THICKNESS (mm)	MASS [Z275] (kg/m <sup>2</sup> )	YIELD STRESS (MPa)	SECTION MODULUS		DEFLECTION MOMENT OF INERTIA (x10 <sup>6</sup> mm <sup>4</sup> )	SPECIFIED WEB CRIPPLING DATA			
			MIDSPAN (x10 <sup>3</sup> mm <sup>3</sup> )	SUPPORT (x10 <sup>3</sup> mm <sup>3</sup> )		Pe1 END (kN)	Pe2 END (kN)	Pt1 INT (kN)	Pt2 INT (kN)
0.610	5.91	345	5.36	4.65	0.244				
0.762	7.35	345	6.76	5.87	0.310				
LLF = 1.50; IMPF = 0.90; NORMAL OCCUPANCY = 1.0									

ASTM A792/A792M-10(2015)	
GRADE	50 (345 Mpa)
GAUGES	24ga (0.61mm) & 22ga (0.76mm)
BASE STEEL	AZM 150 & AZM 165 (PLAIN)
MIN. PITCH	1/4:12
WIDTH	24" (610mm)
MIN. LENGTH	8'-0" (2440mm)
MAX. LENGTH	54'-0" (16.5m)

CERTIFICATION
TO ENSURE THAT THE SSR24 SYSTEM WILL MEET DESIGN APPLICATION, IT HAS BEEN TESTED BY BEHLEN INDUSTRIES AND CERTIFIED. THE SSR24 ROOF SYSTEM CARRIES UL 580 TEST FOR WIND UPLIFT CLASS 90. SEE UL CONSTRUCTION No. 685 FOR CONSTRUCTION INFORMATION. UL FILE: TGKX.685. SSR24 SYSTEM CARRIES FM 4471 APPROVAL STANDARD FOR CLASS 1 PANEL ROOFS FOR: CLASS 1 INTERNAL FIRE, WIND UPLIFT, CLASS A & C EXTERNAL FIRE, SH SEVERE HAIL & FOOT TRAFFIC. SEE FM RoofNav ASSEMBLY #'s; 344713-0-0, 12-0-0. TEST FILE: J.I. 1Z3A2.AM

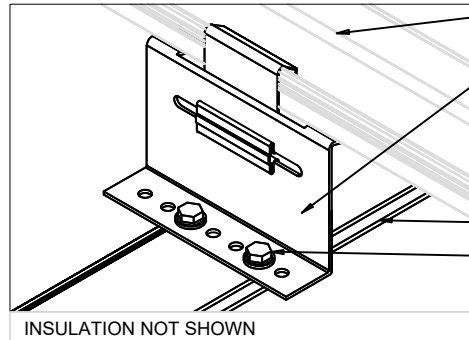
### SSR24 PANEL NOTES:

- STRUCTURAL SPANNING AND SELF SUPPORTING.
- FACTORY APPLIED SEALANT ALONG UNDERSIDE OF RECEIVING PANEL EDGE.
- SLIDING CLIP SYSTEM FOR THERMAL EXPANSION/CONTRACTION.
- THERMAL ROOF SYSTEM WITH VARIABLE DEPTH FLOATING CLIPS. MINIMUM 2" INSULATION RECOMMENDED.
- HAND / MECHANICAL SEAMING REQUIRED
- ATTACHMENT CLIP SYSTEM FOR; SOLAR PANELS, FALL ARREST, AND SNOW MANAGEMENT SYSTEMS AVAILABLE.
- AVAILABLE IN PLAIN 24ga & 22ga GALVALUME PLUS OR IN 24ga & 22ga PRE-PAINTED PERSPECTRA PLUS SMP PAINT.

## SSR COMPONENT SELECTION CHART

**NOTES:**

- SSR CLIP USED AT ALL SUPPORT LOCATIONS, INCLUDING ALL DROP-IN PURLINS
- SSR CLIPS ARE NOT USED AT LOW EAVE OR STRUT PURLINS. DIFFERENT TYPES OF SSR CLIPS AND ACCESSORIES MAY BE REQUIRED ON THE ROOF. REFER TO THE CONSTRUCTION DRAWINGS FOR THE BUILDING.
- CLIPS MUST BE INSTALLED ACCURATELY AT 24" (610) O/C.
- SCREW THROUGH 2ND AND 5TH HOLES IN CLIP FOR PURLINS OR REROOFING.
- SCREW THROUGH OUTSIDE HOLES FOR OWS JOISTS.
- ENSURE THAT SLIDING TAB OF CLIP IS CENTERED.
- HAND CRIMP SEAM AT ALL CLIP LOCATIONS.
- WHEN SEAMING, APPLY DOWNWARD PRESSURE ON SEAMER AS IT PASSED OVER THE SSR CLIPS.



- SLIDING TAB MUST BE CENTERED.
- UN-REINFORCED SINGLE-TAB CLIP SHOWN.
- SEE DETAILS SSR20B & SSR20C FOR REINFORCED SINGLE-& DOUBLE-TAB SSR CLIPS.
- FASTEN SSR CLIP USING (2) SSR CLIP SCREWS.(SEE CLIP SCREW NOTES) REFER TO BUILDING DRAWINGS FOR CLIP SCREWS SUPPLIED.

**SSR CLIPS (SINGLE TAB)**

PT. #	CLIP HEIGHT	SPACE (UNDER PANEL)	COMPRESSED INSULATION	THERMAL BLOCK* (BETWEEN CLIPS)	SSR CLIP SCREWS	SSR CLIP SCREWS @ HEAVY FRAMING (0.21"+ (5.3mm+))
556382	1 3/4" (44)	0	UP TO 4" (100)**	NO	(556378) 1/4-14 x 1 1/4"	(3228052) #12-24 x 1 1/2" W/ #5 DRILL POINT***
558383	2 1/4" (57)	1/2" (12)	4"-6" (100-150)	NO	(556377) 1/4-14 x 2"	(3228054) #12-24 x 2" W/ #5 DRILL POINT***
558384	2 3/4" (70)	1" (25)	UP TO 4" (100)	1" (25)	(556378) 1/4-14 x 1 1/4"	(3228052) #12-24 x 1 1/2" W/ #5 DRILL POINT***
		1" (25)	9"± (229±)	NO	(556377) 1/4-14 x 2"	(3228054) #12-24 x 2" W/ #5 DRILL POINT***
556379	3 1/4" (82)	1 1/2" (38)	4"-6" (100-150)	1" (25)	(556377) 1/4-14 x 2"	(3228054) #12-24 x 2" W/ #5 DRILL POINT***
		1 1/2" (38)	12"± (305±)	NO	(TS0001143000) 1/4-14 x 3"	(3228058) 1/4-28 x 3" W/ #5 DRILL POINT***
556385	4 1/4" (108)	2 1/2" (64)	UP TO 4" (100)	2 1/2" (64)	(556378) 1/4-14 x 1 1/4"	(3228052) #12-24 x 1 1/2" W/ #5 DRILL POINT***
		2 1/2" (64)	4"-8" (100-200)	1 1/2" (64)	(556377) 1/4-14 x 2"	(3228054) #12-24 x 2" W/ #5 DRILL POINT***
		2 1/2" (64)	8"-12" (200-300)	1" (25)	(TS0001143000) 1/4-14 x 3"	(3228058) 1/4-28 x 3" W/ #5 DRILL POINT***

\* THIS CHART ASSUMES THE THERMAL BLOCKS AND SSR CLIPS ARE INSTALLED ON TOP OF INSULATION.

\*\* MINIMUM 2" OF INSULATION RECOMMENDED ON TOP OF PURLINGS TO REDUCE WIND NOISE.

\*\*\* HEAVY FRAMING SCEWS NOT TO BE USED ON FACTORY MUTUAL ROOFS.




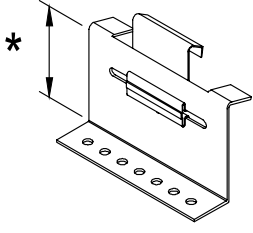

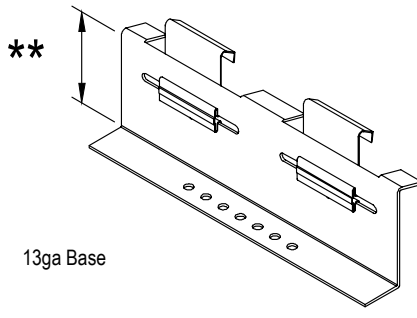

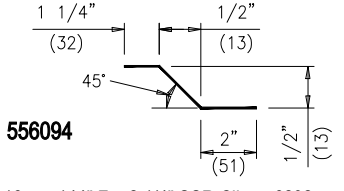
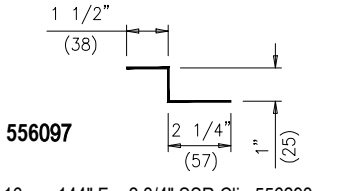
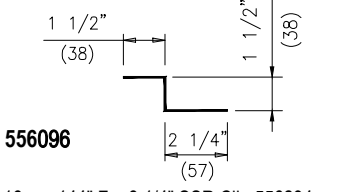
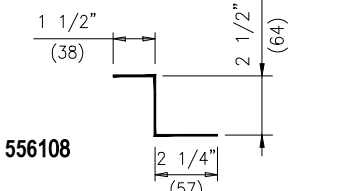
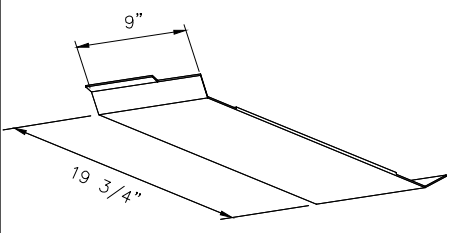


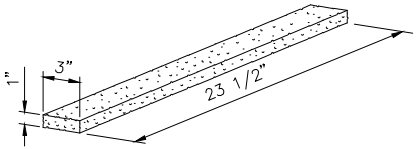
**SSR CLIP SELECTION DETAIL**  
SINGLE-TAB

**EAVE PLATE CHART**

EAVE PLATE PT. #	CLIP HEIGHT	SPACE (UNDER PANEL)	COMPRESSED INSULATION	THERMAL BLOCK* (BETWEEN CLIPS)
NONE	1 3/4" (44)	0	UP TO 4" (100)**	NO
556094	2 1/4" (57)	1/2" (12)	4"-6" (100-150)	NO
556097	2 3/4" (70)	1" (25)	UP TO 4" (100)	1" (25)
556097	2 3/4" (70)	1" (25)	9"± (229±)	NO
556096	3 1/4" (82)	1 1/2" (38)	4"-6" (100-150)	1" (25)
556096	3 1/4" (82)	1 1/2" (38)	12"± (305±)	NO
556108	4 1/4" (108)	2 1/2" (64)	UP TO 4" (100)	1" (25)
556108	4 1/4" (108)	2 1/2" (64)	4"-8" (100-200)	1 1/2" (38)
556108	4 1/4" (108)	2 1/2" (64)	8"-12" (200-300)	2 1/2" (64)



**EAVES PLATE SELECTION DETAILS**

<p><b>Floating SSR Clip (Single)</b> </p>  <p>13ga Base</p> <table border="0"> <tr> <td>556382</td> <td>*</td> <td>1 3/4" Floating SSR Clip</td> </tr> <tr> <td>556383</td> <td></td> <td>2 1/4" Floating SSR Clip</td> </tr> <tr> <td>556384</td> <td></td> <td>2 3/4" Floating SSR Clip</td> </tr> <tr> <td>556379</td> <td></td> <td>3 1/4" Floating SSR Clip</td> </tr> <tr> <td>556379</td> <td></td> <td>4 1/4" Floating SSR Clip</td> </tr> </table>	556382	*	1 3/4" Floating SSR Clip	556383		2 1/4" Floating SSR Clip	556384		2 3/4" Floating SSR Clip	556379		3 1/4" Floating SSR Clip	556379		4 1/4" Floating SSR Clip	<p><b>Floating SSR Clip (Double)</b> </p>  <p>13ga Base</p> <table border="0"> <tr> <td>556291</td> <td>**</td> <td>1 3/4" Floating SSR Clip</td> </tr> <tr> <td>556292</td> <td></td> <td>2 1/4" Floating SSR Clip</td> </tr> <tr> <td>556293</td> <td></td> <td>2 3/4" Floating SSR Clip</td> </tr> <tr> <td>556294</td> <td></td> <td>3 1/4" Floating SSR Clip</td> </tr> <tr> <td>556295</td> <td></td> <td>4 1/4" Floating SSR Clip</td> </tr> </table>	556291	**	1 3/4" Floating SSR Clip	556292		2 1/4" Floating SSR Clip	556293		2 3/4" Floating SSR Clip	556294		3 1/4" Floating SSR Clip	556295		4 1/4" Floating SSR Clip	<p><b>Eave Plates</b> </p>  <p>556094 16ga - 144" For 2 1/4" SSR Clip 556292</p>  <p>556097 16ga - 144" For 2 3/4" SSR Clip 556293</p>  <p>556096 16ga - 144" For 3 1/4" SSR Clip 556294</p>  <p>556108 14ga - 144" For 4 1/4" SSR Clip 556295</p>
556382	*	1 3/4" Floating SSR Clip																														
556383		2 1/4" Floating SSR Clip																														
556384		2 3/4" Floating SSR Clip																														
556379		3 1/4" Floating SSR Clip																														
556379		4 1/4" Floating SSR Clip																														
556291	**	1 3/4" Floating SSR Clip																														
556292		2 1/4" Floating SSR Clip																														
556293		2 3/4" Floating SSR Clip																														
556294		3 1/4" Floating SSR Clip																														
556295		4 1/4" Floating SSR Clip																														
<p><b>SSR Endlap Plate (18ga)</b></p>  <p>556076</p>	<p><b>SSR End Dam (18ga Large Tab Metal Closure)</b></p>  <p>556380</p> <p><b>SSR Metal Closure (24ga)</b></p>  <p>556369</p>	<p><b>Typical EPS Thermal Block (Not by Westman)</b></p> 																														

**See SSR COMPONENT SELECTION CHART**

