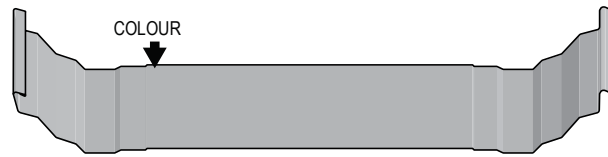


Structural spanning & self supporting.

See SSR24 Section Properties page & Load Table.

See SSR24 Design Manual for additional technical information and details.



MINIMUM 1/4:12 PITCH

Available as a Floating Clip System. Hand/mechanical seaming required.

Factory applied sealant along underside of receiving edge.

Thermal roof system with variable depth floating clips. Minimum 2" insulation recommended. Solar, Fall Arrest & snow management attachment systems available.

SSR24 STANDING SEAM PANELS ARE INTENDED FOR INSTALLATION ON STEEL BUILDING SYSTEMS FOR LOW SLOPED INDUSTRIAL AND COMMERCIAL ROOFS OVER SECONDARY STRUCTURAL STEEL FRAMING. SSR24 REQUIRES COMPREHENSIVE DESIGN, DETAILING AND ENGINEERING TO COMPLETE A FULLY INSTALLED ROOF. INSULATION OPTIONS AND SYSTEMS INCLUDE A THERMALGUARD™ STEEL LINER ASSEMBLY, IN-FILL INSULATION SYSTEMS OR DRAPED INSULATION SYSTEMS.

The steel used to manufacture SSR24 sheets meets or exceeds the following specifications and reference standards:

ASTM A792/A792M, 55% Aluminum-Zinc Alloy-Coated (Galvalume) Steel Sheet with coating designation AZM150 [AZ50] for Painted Galvalume and AZM165 [AZ55] Plain Galvalume sheets.

CSSBI 20M-17, Standard for Sheet Steel Cladding for Architectural, Industrial and Commercial Building Applications.

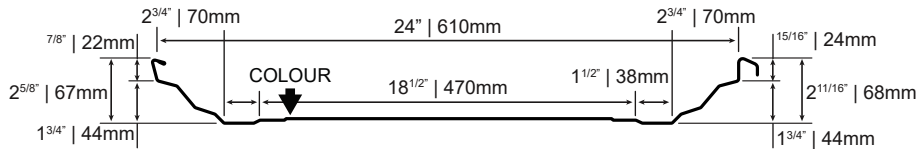
CSSBI S8-2018, Quality and Performance Specification for Prefinished Sheet Steel Used for Building Products.

CSA-S136-16, North American Specification for the Design of Cold-Formed Steel Structural Members.

Classic/Comm	Colour Code	Gauge(s)			Classic/Comm	Colour Code	Gauge(s)			Classic/Comm	Colour Code	Gauge(s)		
		24	22				24	22				24	22	
Antique Linen	8696	•			Deep Water Green	8684				Metro Brown	8228			
Black	8262	•			Galvalume	2	•	•		Pacific Turquoise	8258			
Bone White	8273	•	•		Galvanized	1				Regent Grey	8730	•		
Bright Red	8386				Gold	8276				Royal Blue	8790	•		
Bright White	8783	•			Heron Blue	8330				Sapphire Blue	8261			
Buckskin	9202				Hickory Moss	9368				Slate Blue	8260	•		
Burgundy	8011				Int'l Orange	8234				Stone Grey	8305	•	•	
Cambridge White	8695				Iron Ore	8614	•			Tan	8315	•	•	
Charcoal	8306	•	•		Ivory	8802				Tile Red	8259			
Coffee	8326	•			Light Stone	9367	•			Whistler Green	8093			
Dark Brown	8229				Medium Green	8329				White White	8317	•	•	
Dark Red	8250				Melcher's Green	8307								

Product Description	Grade(s)	lbs./Lin. Ft.	Additional Information
24 Gauge Plain Galvalume	50	2.35	<p>Please contact your nearest location for availability and minimum/maximum lengths.</p> <p>Extended lead time may be required.</p> <p>See Westman Steel Colour Chart for complete range. Contact for custom colour & specialty coating option.</p>
24 Gauge Coloured	50	2.40	
22 Gauge Plain Galvalume	50	2.93	
22 Gauge Coloured	50	2.93	

Colour availability can vary by branch and may result in longer lead times. Additional crating and freight charges may apply.



Structural spanning & self supporting.

See SSR24 Design Manual for additional technical information and details.



MINIMUM 1/4:12 PITCH

SECTION PROPERTIES

SECTION PROPERTIES PER FOOT OF WIDTH, IN ACCORDANCE WITH CSA STANDARD S136									
BASE STEEL THICKNESS (inches)	WEIGHT [G90] (psf)	YIELD STRESS (ksi)	SECTION MODULUS		DEFLECTION MOMENT OF INERTIA (in ⁴)	SPECIFIED WEB CRIPPLING DATA			
			MIDSPAN (in ³)	SUPPORT (in ³)		Pe1 END (lb)	Pe2 END (lb)	Pt1 INT (lb)	Pt2 INT (lb)
0.0240	1.26	50	0.0997	0.0864	0.179				
0.0300	1.56	50	0.126	0.109	0.227				

LLF = 1.50; IMPF = 0.90; NORMAL OCCUPANCY = 1.0

SECTION PROPERTIES PER METRE OF WIDTH, IN ACCORDANCE WITH CSA STANDARD S136									
BASE STEEL THICKNESS (mm)	MASS [Z275] (kg/m ²)	YIELD STRESS (MPa)	SECTION MODULUS		DEFLECTION MOMENT OF INERTIA (x10 ⁶ mm ⁴)	SPECIFIED WEB CRIPPLING DATA			
			MIDSPAN (x10 ³ mm ³)	SUPPORT (x10 ³ mm ³)		Pe1 END (kN)	Pe2 END (kN)	Pt1 INT (kN)	Pt2 INT (kN)
0.610	5.91	345	5.36	4.65	0.244				
0.762	7.35	345	6.76	5.87	0.310				

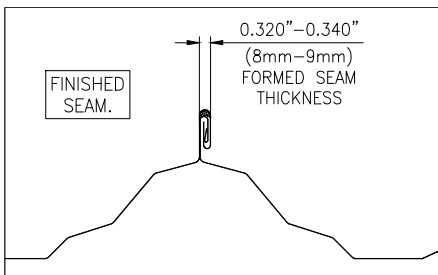
LLF = 1.50; IMPF = 0.90; NORMAL OCCUPANCY = 1.0

ASTM A792/A792M-10(2015)	
GRADE	50 (345 Mpa)
GAUGES	24ga (0.61mm) & 22ga (0.76mm)
BASE STEEL	AZM 150 & AZM 165 (PLAIN)
MIN. PITCH	1/4:12
WIDTH	24" (610mm)
MIN. LENGTH	8'-0" (2440mm)
MAX. LENGTH	54'-0" (16.5m)

CERTIFICATION
TO ENSURE THAT THE SSR24 SYSTEM WILL MEET DESIGN APPLICATION, IT HAS BEEN TESTED BY BEHLEN INDUSTRIES AND CERTIFIED. THE SSR24 ROOF SYSTEM CARRIES UL 580 TEST FOR WIND UPLIFT CLASS 90. SEE UL CONSTRUCTION No. 685 FOR CONSTRUCTION INFORMATION. UL FILE: TGKX.685. SSR24 SYSTEM CARRIES FM 4471 APPROVAL STANDARD FOR CLASS 1 PANEL ROOFS FOR; CLASS 1 INTERNAL FIRE, WIND UPLIFT, CLASS A & C EXTERNAL FIRE, SH SEVERE HAIL & FOOT TRAFFIC. SEE FM RoofNav ASSEMBLY #'s; 344713-0-0, 12-0-0. TEST FILE: J.J. 1Z3A2.AM

SSR24 PANEL NOTES:

- STRUCTURAL SPANNING AND SELF SUPPORTING.
- AVAILABLE IN PLAIN 24ga & 22ga GALVALUME PLUS OR IN 24ga & 22ga PRE-PAINTED PERSPECTRA PLUS SMP PAINT.
- FACTORY APPLIED SEALANT ALONG UNDERSIDE OF RECEIVING PANEL EDGE.
- SITE APPLIED ADDITIONAL SEALANT AT EAVES LOCATION, HIGH WALLS, AND PARAPETS.
- SLIDING CLIP SYSTEM FOR THERMAL EXPANSION/CONTRACTION.
- THERMAL ROOF SYSTEM WITH VARIABLE DEPTH FLOATING CLIPS. MINIMUM 2" INSULATION RECOMMENDED.
- ATTACHMENT CLIP SYSTEM FOR; SOLAR PANELS, FALL ARREST, AND SNOW MANAGEMENT SYSTEMS AVAILABLE.

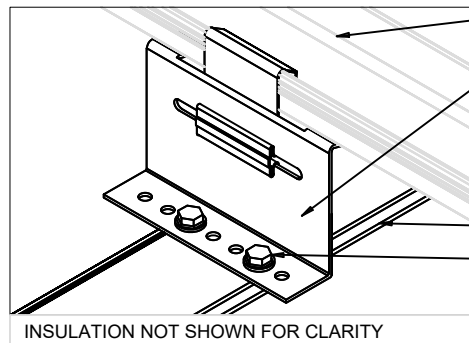


- HAND / MECHANICAL SEAMING REQUIRED.
- STANDING SEAM FORMED WITH 360° PITTSBURGH SEAM IN ONE PASS USING MULTIPLE STAGE ELECTRIC SEAMER.

SSR COMPONENT SELECTION CHART

GENERAL SSR CLIP INSTALLATION NOTES:

- SSR CLIPS ARE NOT USED AT LOW EAVE OR STRUT PURLINS UNLESS SPECIFICALLY SHOWN. SEE **NOTE 3** BELOW.
- SSR CLIPS ARE USED AT ALL OTHER SUPPORT LOCATIONS, INCLUDING ALL DROP-IN AND CORNER ZONE PURLINS.
- DIFFERENT TYPES OF SSR CLIPS AND ACCESSORIES MAY BE REQUIRED ON THE SAME ROOF. REFER TO THE CONSTRUCTION DRAWINGS FOR THE BUILDING.
- CLIPS MUST BE INSTALLED ACCURATELY AT 24" (610) O/C.
- SCREW THROUGH 2ND AND 5TH HOLES IN CLIP FOR PURLINS OR REROOFING.
- SCREW THROUGH OUTSIDE HOLES FOR OWS JOISTS.
- ENSURE THAT SLIDING TAB OF CLIP IS CENTERED.
- HAND CRIMP SEAM AT ALL CLIP LOCATIONS.
- WHEN SEAMING, APPLY DOWNWARD PRESSURE ON SEAMER AS IT PASSES OVER THE SSR CLIPS.



- SLIDING TAB MUST BE CENTERED.
 - UN-REINFORCED SINGLE-TAB CLIP SHOWN.
 - SEE DETAILS SSR20B & SSR20C FOR REINFORCED SINGLE-&DOUBLE-TAB SSR CLIPS.
- FASTEN SSR CLIP USING (2) SSR CLIP SCREWS. (SEE CLIP DRAWINGS FOR CLIP SCREWS SUPPLIED.)

SSR CLIPS (SINGLE TAB) ON FRAMING

PT. #	CLIP HEIGHT	SPACE (UNDER PANEL)	COMPRESSED INSULATION****	THERMAL BLOCK* (BETWEEN CLIPS)	SSR CLIP SCREWS	SSR CLIP SCREWS @ HEAVY FRAMING (0.21" (5.3) OR THICKER)
556382	1 3/4" (44)	0	UP TO 4" (100)**	NONE	(556378) 1/4-14 x 1 1/4"	(3228052) #12-24 x 1 1/2" W/ #5 DRILL POINT***
556383	2 1/4" (57)	1/2" (12)	4" - 6" (100-150)	NONE	(556377) 1/4-14 x 2"	(3228054) #12-24 x 2" W/ #5 DRILL POINT***
556384	2 3/4" (70)	1" (25)	UP TO 4" (100)	1" (25)	(556378) 1/4-14 x 1 1/4"	(3228052) #12-24 x 1 1/2" W/ #5 DRILL POINT***
		1" (25)	4" - 6" (100-150)	5/8" (16)	(556377) 1/4-14 x 2"	(3228054) #12-24 x 2" W/ #5 DRILL POINT***
		1" (25)	8" (203)	NONE	(556377) 1/4-14 x 2"	(3228054) #12-24 x 2" W/ #5 DRILL POINT***
556379	3 1/4" (82)	1 1/2" (38)	4" - 6" (100-150)	1" (25)	(556377) 1/4-14 x 2"	(3228054) #12-24 x 2" W/ #5 DRILL POINT***
		1 1/2" (38)	8"-10" (203-254)	5/8" (16)	(556377) 1/4-14 x 2"	(3228054) #12-24 x 2" W/ #5 DRILL POINT***
		1 1/2" (38)	10"-12" (254-305)	NONE	(TS0001143000) 1/4-14 x 3"***	(3228058) 1/4-28 x 3" W/ #5 DRILL POINT***

* THIS CHART ASSUMES THE THERMAL BLOCKS (IF USED) AND SSR CLIPS ARE INSTALLED ON TOP OF THE INSULATION, AND THAT THE THERMAL BLOCKS (IF USED) ARE INSTALLED BETWEEN THE SSR CLIPS.

** MINIMUM 2" OF INSULATION IS RECOMMENDED ON TOP OF PURLINS TO REDUCE WIND NOISE.

*** FOR FACTORY MUTUAL RATED ROOFS, ONLY 556378 (1 1/4") AND 556377 (2") SCREWS ARE PERMITTED FOR FASTENING THE SSR CLIPS TO THE FRAMING. HEAVY FRAMING &/OR LONGER SCREWS ARE NOT TO BE USED.

****SEE NOTE 4 FOR IMPORTANT COMPRESSED INSULATION INFORMATION.

SSR CLIP DETAIL SINGLE-TAB CLIPS

SSR CLIPS (SINGLE TAB) ON THERMAL STAND

NOTE: THE COMPRESSED INSULATION THICKNESSES NOTED IN THIS CHART DO NOT INCLUDE THE 2 1/2" (64) UPPER LAYER, WHICH REMAINS CONSTANT.

PT. #	CLIP HEIGHT	SPACE (UNDER PANEL)	COMPRESSED INSULATION	THERMAL BLOCK* (BETWEEN CLIPS)	SSR CLIP SCREWS	SSR CLIP SCREWS @ HEAVY FRAMING (0.21" (5.3) OR THICKER)
156387	3 1/4" CLIP ON 1" STAND (4 1/4" TOTAL)	2 1/2" (64)	UP TO 4" (100)	2 1/2" (64)	(556377) 1/4-14 X 2"	(3228054) #12-24 X 2" W/ #5 DRILL POINT***
	82mm CLIP ON 25mm STAND (108mm TOTAL)		6" - 8" (150-203)	1 1/2" (38)	(TS0001143000) 1/4-14 X 3"***	(3228058) 1/4-28 X 3" W/ #5 DRILL POINT***
			8"-12" (203-305)	1" (25)	(TS0001143000) 1/4-14 X 3"***	(3228058) 1/4-28 X 3" W/ #5 DRILL POINT***

* THIS CHART ASSUMES THE THERMAL BLOCKS ARE INSTALLED ON TOP OF THE UPPER LAYER OF INSULATION, AND THAT THE SSR CLIPS ARE INSTALLED ON TOP OF THE LOWER LAYER OF INSULATION.

** MINIMUM 2" OF INSULATION IS RECOMMENDED ON TOP OF PURLINS TO REDUCE WIND NOISE.

*** FOR FACTORY MUTUAL RATED ROOFS, ONLY 556378 (1 1/4") AND 556377 (2") SCREWS ARE PERMITTED FOR FASTENING THE SSR CLIPS TO THE FRAMING. HEAVY FRAMING &/OR LONGER SCREWS ARE NOT TO BE USED.

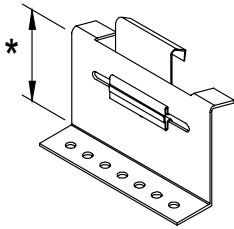
**** IF PROPRIETARY IN-FILL INSULATION SYSTEM IS USED, FOLLOW THE INSULATION MANUFACTURER'S DOCUMENTED INSTALLATION METHODS.

SSR CLIP DETAIL SINGLE-TAB 3 1/4" CLIP WITH 1" THERMAL STAND

- NOTES:**
1. ROOF PANEL FASTENED DIRECTLY TO SUPPORTING STRUCTURE AT LOW EAVE ONLY.
 2. SCREW COLOUR MATCHES ADJACENT MATERIAL UNLESS NOTED. REMOVE DRILL FILINGS IMMEDIATELY TO PREVENT RUSTING.
 3. FOR DROP-IN PURLINS AND STRUT PURLIN LOCATIONS, SEE ROOF FRAMING PLAN OF BUILDING CONSTRUCTION DRAWINGS.
 4. ENSURE ROLL-OVER (BLANKET) INSULATION IS INSTALLED WITH THE PROPER LEVEL OF DRAPE, OR SAG, TO ALLOW INSULATION TO EXPAND TO FULL THICKNESS BETWEEN FRAMING. DO NOT PULL INSULATION TAUT, AS THIS WILL REDUCE THERMAL PERFORMANCE AND CAUSE ROOF PANEL MODULARITY ISSUES.

SSR COMPONENTS

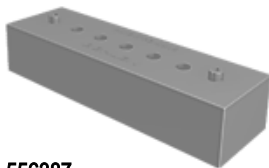
Floating SSR Clip (Single)



13ga Base

- 556382 * 1 3/4" Floating SSR Clip
- 556383 2 1/4" Floating SSR Clip
- 556384 2 3/4" Floating SSR Clip
- 556379 3 1/4" Floating SSR Clip

SSR Thermal Stand™

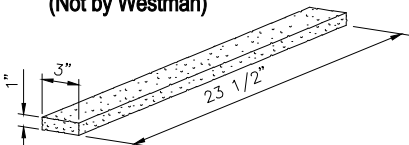


556387

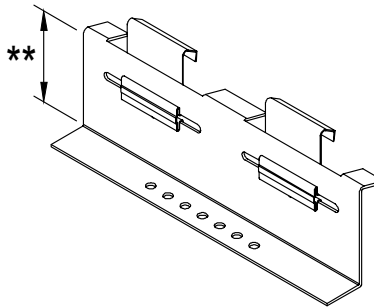
SSR 1" (25) Thermal Stand™ for use with SSR 3 1/4" (82) Clip for 4 1/4" (108) Clip stand off height

156387 Part Number for factory assembled Thermal Stand™ complete with 556379 - 3 1/4" SSR Clip

Typical EPS Thermal Block
(Not by Westman)



Floating SSR Clip (Double)



- 556291 ** 1 3/4" Floating SSR Clip
- 556292 2 1/4" Floating SSR Clip
- 556293 2 3/4" Floating SSR Clip
- 556294 3 1/4" Floating SSR Clip

SSR End Dam (18ga Large Tab Metal Closure)



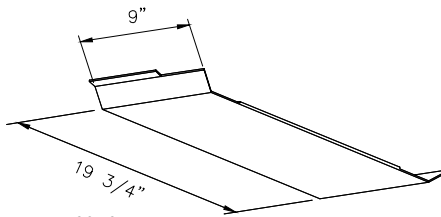
556380

SSR Metal Closure (24ga)



556369

SSR Endlap Plate (18ga)

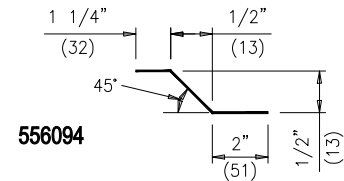


556076

EAVE PLATE CHART

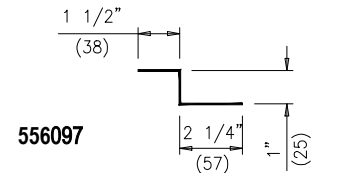
EAVE PLATE PT. #	CLIP HEIGHT
NONE	1 3/4" (44)
556094	2 1/4" (57)
556097	2 3/4" (70)
556096	3 1/4" (82)
556108	4 1/4" (108)

Eave Plates



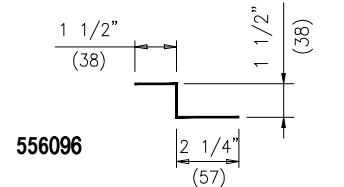
556094

16ga - 144" For 2 1/4" SSR Clip 556383



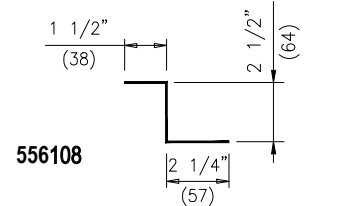
556097

16ga - 144" For 2 3/4" SSR Clip 556384



556096

16ga - 144" For 3 1/4" SSR Clip 556379



556108

14ga - 144" For 4 1/4" SSR Stand off 156387